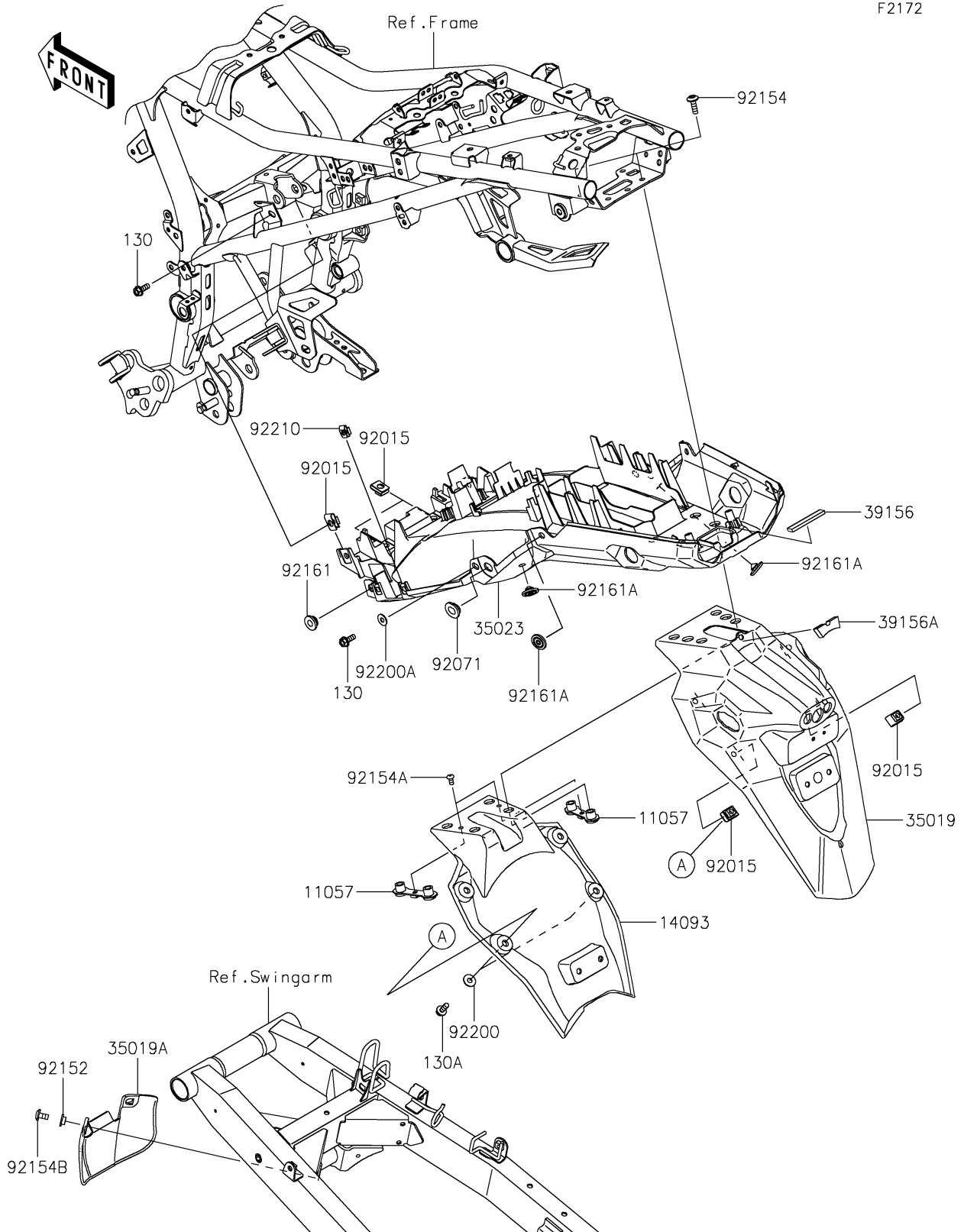


2019 VERSYS®-X 300 ABS PARTS DIAGRAM

Rear Fender(s)

F2172



2019 VERSYS®-X 300 ABS PARTS LIST

Rear Fender(s)

| ITEM NAME | PART NUMBER | QUANTITY |
|----------------------------------|-------------|----------|
| BRACKET (Ref # 11057) | 11057-0556 | 2 |
| BOLT-FLANGED,6X16 (Ref # 130) | 130BA0616 | 4 |
| BOLT-FLANGED,6X16 (Ref # 130A) | 130BB0616 | 4 |
| COVER (Ref # 14093) | 14093-0552 | 1 |
| FLAP,RR (Ref # 35019) | 35019-0632 | 1 |
| FLAP,SWA,LWR (Ref # 35019A) | 35019-0634 | 1 |
| FENDER-REAR (Ref # 35023) | 35023-0427 | 1 |
| PAD,9X60X4 (Ref # 39156) | 39156-0820 | 1 |
| PAD (Ref # 39156A) | 39156-2211 | 1 |
| NUT,6MM (Ref # 92015) | 92015-1602 | 8 |
| GROMMET,20X24X7.5 (Ref # 92071) | 92071-0766 | 2 |
| COLLAR (Ref # 92152) | 92152-2296 | 2 |
| BOLT,SOCKET,6X20 (Ref # 92154) | 92154-0918 | 4 |
| BOLT,SOCKET,5X10 (Ref # 92154A) | 92154-1547 | 2 |
| BOLT,SOCKET,6X12 (Ref # 92154B) | 92154-2355 | 2 |
| DAMPER (Ref # 92161) | 92161-1531 | 2 |
| DAMPER,8X22X10 (Ref # 92161A) | 92161-1685 | 4 |
| WASHER,6.5X17X1 (Ref # 92200) | 92200-0430 | 4 |
| WASHER,6.5X16X1.0 (Ref # 92200A) | 92200-0796 | 2 |
| NUT,5MM (Ref # 92210) | 92210-0817 | 2 |