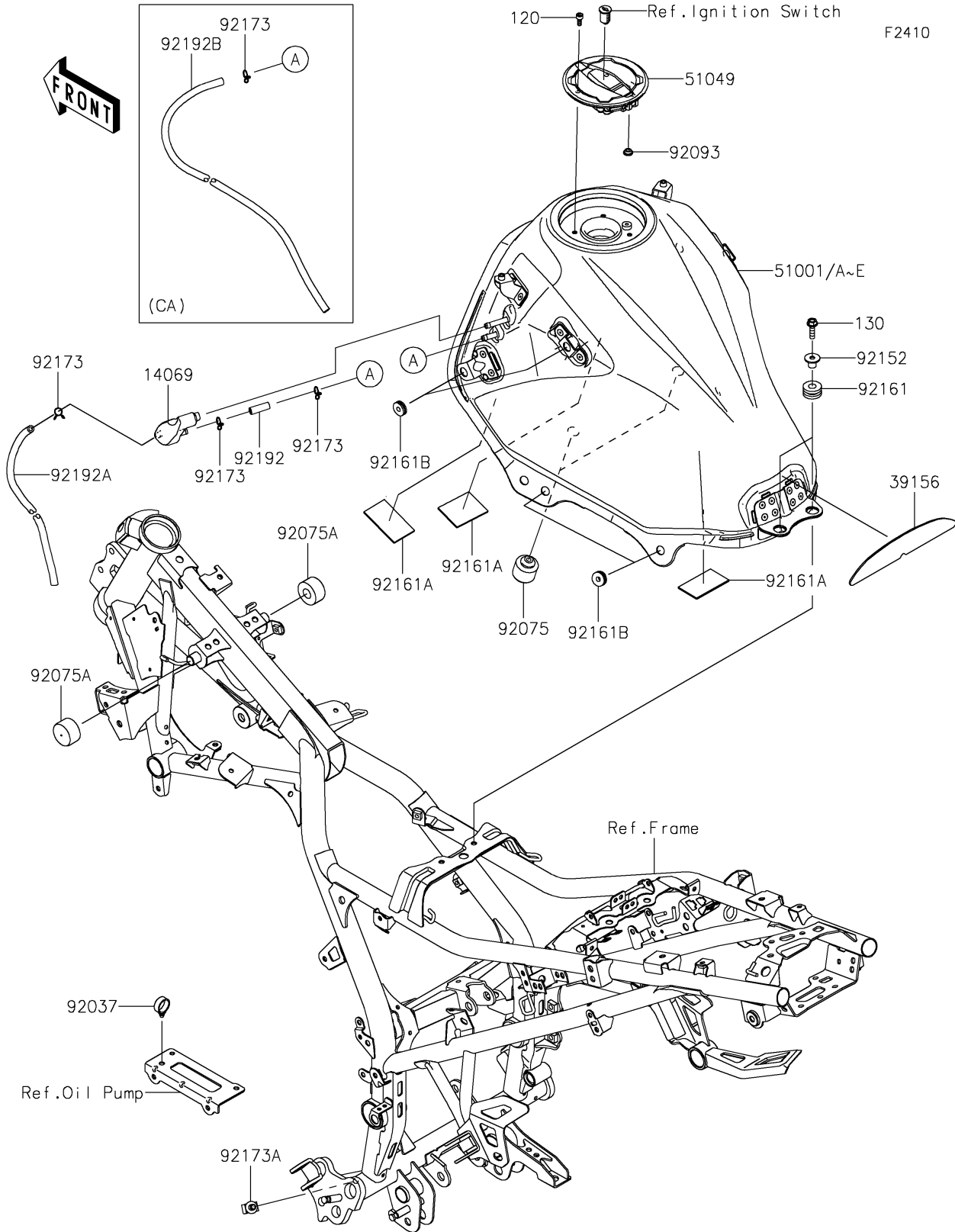


2019 VERSYS[®]-X 300 ABS PARTS DIAGRAM

Fuel Tank



2019 VERSYS®-X 300 ABS PARTS LIST

Fuel Tank

ITEM NAME	PART NUMBER	QUANTITY
BOLT-SOCKET,5X12 (Ref # 120)	120CA0512	4
BOLT-FLANGED,6X22 (Ref # 130)	130BA0622	2
BREATHER (Ref # 14069)	14069-0011	1
PAD,34X210X2 (Ref # 39156)	39156-2210	1
TANK-COMP-FUEL,M.M.GRAY (Ref # 51001A)	51001-0843-25X	1
CAP-TANK (Ref # 51049)	51049-0735	1
CLAMP,HOSE (Ref # 92037)	92037-1827	1
DAMPER (Ref # 92075)	92075-1002	2
DAMPER,FUEL TANK,FR (Ref # 92075A)	92075-1115	2
SEAL,FUEL TANK CAP (Ref # 92093)	92093-1030	1
COLLAR,6.5X10X13.1 (Ref # 92152)	92152-0332	2
DAMPER,10X24X12 (Ref # 92161)	92161-0927	2
DAMPER (Ref # 92161A)	92161-1883	3
DAMPER,6X19X5.6 (Ref # 92161B)	92161-1911	8
CLAMP (Ref # 92173)	92173-0049	1
CLAMP (Ref # 92173)	92173-0049	3
CLAMP,12MM DIA. (Ref # 92173A)	92173-0736	1
TUBE,5X9X26 (Ref # 92192)	92192-0910	1
TUBE,5X9X1040 (Ref # 92192A)	92192-1732	1
TUBE,5X9X1060 (Ref # 92192B)	92192-1733	1