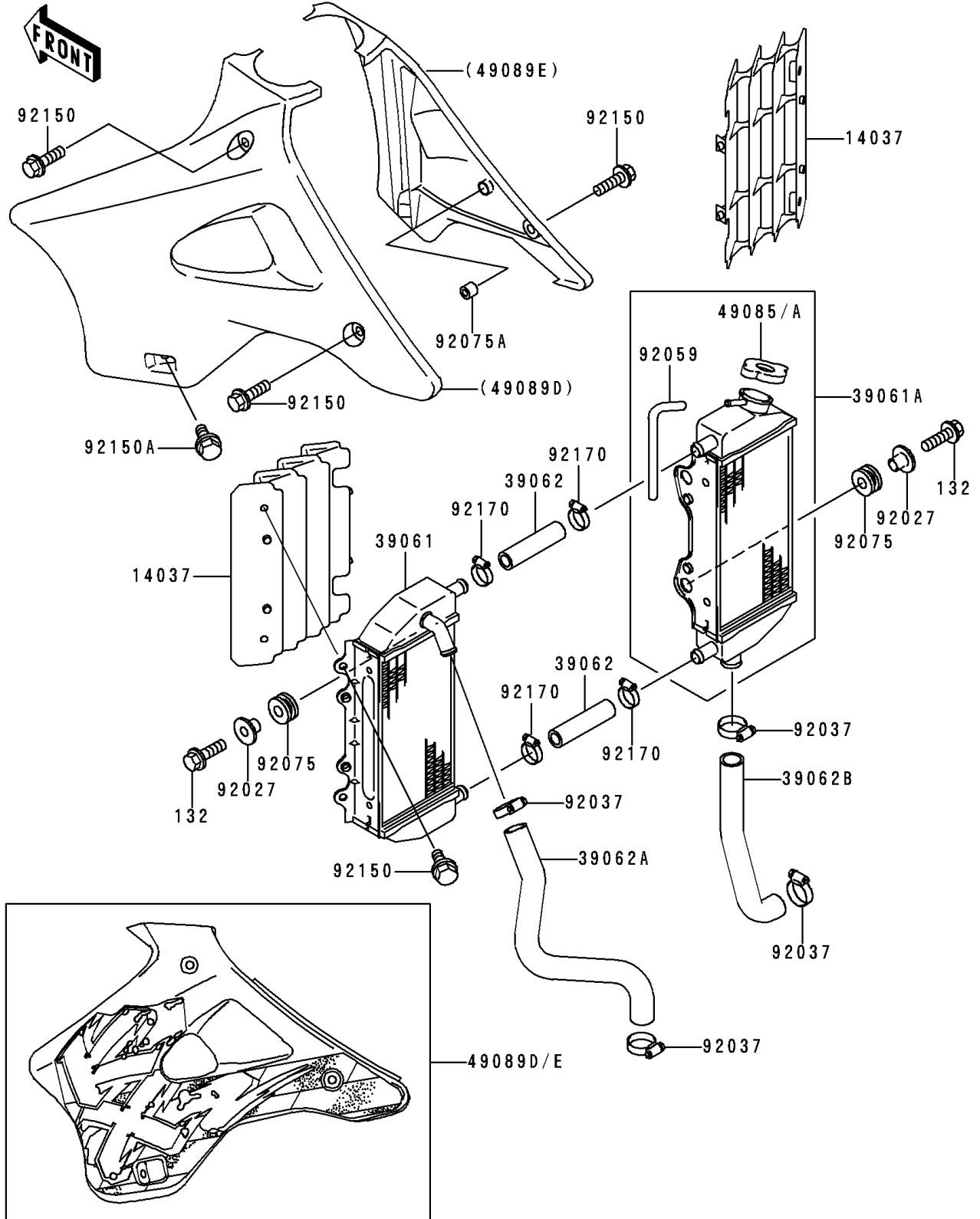


# 1995 KX250 PARTS DIAGRAM

Radiator

E3032



# 1995 KX250 PARTS LIST

## Radiator

ITEM NAME	PART NUMBER	QUANTITY
BOLT-FLANGED-SMALL (Ref # 132)	132G0620	4
SCREEN,L.GREEN (Ref # 14037)	14037-1179-6W	2
RADIATOR-ASSY,LH (Ref # 39061)	39061-1197	1
RADIATOR-ASSY,RH (Ref # 39061A)	39061-1198	1
HOSE-COOLING,RADIATOR,LH-RH (Ref # 39062)	39062-1551	2
HOSE-COOLING,HEAD-RADIATOR,LH (Ref # 39062A)	39062-1554	1
HOSE-COOLING,RADIATOR,RH-PUMP (Ref # 39062B)	39062-1555	1
CAP-ASSY-PRESSURE,P=1.6 (Ref # 49085)	49085-1059	1
CAP-ASSY-PRESSURE (Ref # 49085A)	49085-1066	1
SHROUD-ENGINE,LH,L.GREEN (Ref # 49089D)	49089-5232-6W	1
SHROUD-ENGINE,RH,L.GREEN (Ref # 49089E)	49089-5233-6W	1
COLLAR,L=11.1 (Ref # 92027)	92027-194	4
CLAMP,COOLING HOSE (Ref # 92037)	92037-1589	4
TUBE,5X9X600 (Ref # 92059)	92059-1259	1
DAMPER (Ref # 92075)	92075-209	4
DAMPER,AIR FILTER (Ref # 92075A)	92075-217	2
BOLT,6X12 (Ref # 92150)	92150-1435	6
BOLT,6X20 (Ref # 92150A)	92150-1801	2
CLAMP (Ref # 92170)	92170-1283	4