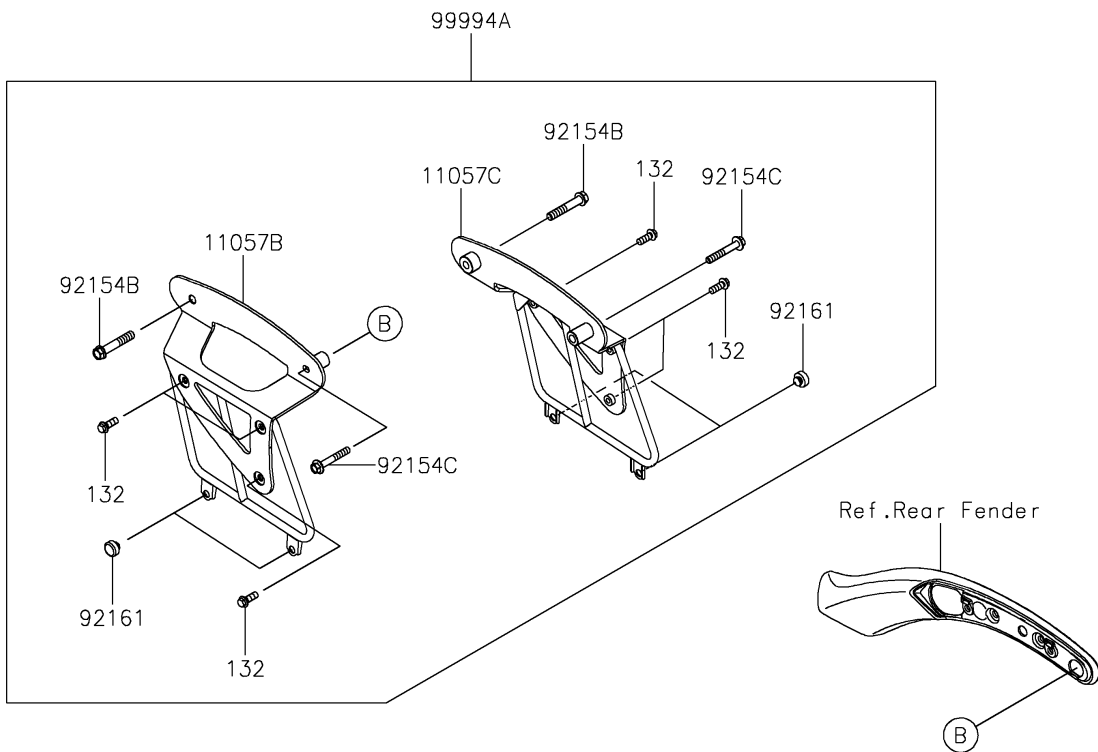
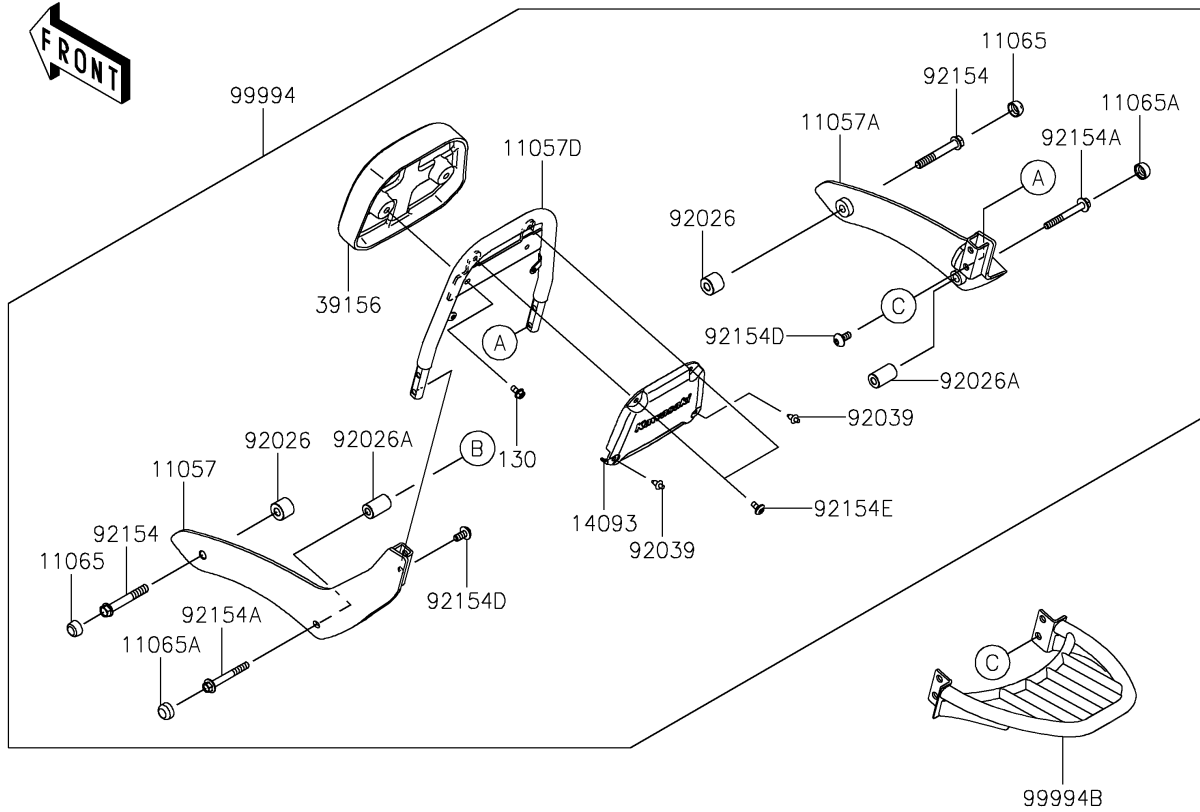


# 2020 VULCAN® S ABS SE PARTS DIAGRAM

Accessory(Passenger Backrest)

F2910N



## 2020 VULCAN® S ABS SE PARTS LIST

Accessory(Passenger Backrest)

| ITEM NAME                                     | PART NUMBER | QUANTITY |
|---|-------------|----------|
| BRACKET,SIDE PLATE,LH (Ref # 11057)           | 11057-0179  | 1        |
| BRACKET,SIDE PLATE,RH (Ref # 11057A)          | 11057-0181  | 1        |
| BRACKET,LH (Ref # 11057B)                     | 11057-0186  | 1        |
| BRACKET,RH (Ref # 11057C)                     | 11057-0188  | 1        |
| BRACKET,SISSYBAR (Ref # 11057D)               | 11057-0218  | 1        |
| CAP,14 (Ref # 11065)                          | 11065-0977  | 2        |
| CAP (Ref # 11065A)                            | 11065-1195  | 2        |
| BOLT-FLANGED,6X12 (Ref # 130)                 | 130BA0612   | 2        |
| BOLT-FLANGED-SMALL,8X22 (Ref # 132)           | 132BA0822   | 6        |
| COVER (Ref # 14093)                           | 14093-0504  | 1        |
| PAD,SEAT (Ref # 39156)                        | 39156-1581  | 1        |
| SPACER (Ref # 92026)                          | 92026-0823  | 2        |
| SPACER (Ref # 92026A)                         | 92026-0824  | 2        |
| RIVET (Ref # 92039)                           | 92039-0068  | 2        |
| BOLT,FLANGED,10X70 (Ref # 92154)              | 92154-2227  | 2        |
| BOLT,FLANGED,8X68 (Ref # 92154A)              | 92154-2228  | 2        |
| BOLT,FLANGED,10X57 (Ref # 92154B)             | 92154-2229  | 2        |
| BOLT,FLANGED,8X55 (Ref # 92154C)              | 92154-2230  | 2        |
| BOLT,SOCKET,8X18 (Ref # 92154D)               | 92154-2239  | 4        |
| BOLT,SOCKET,6X12 (Ref # 92154E)               | 92154-2497  | 2        |
| DAMPER,10X20X8 (Ref # 92161)                  | 92161-0855  | 4        |
| KIT,PASSENGER BACKREST W/O KQR (Ref # 99994)  | 99994-0818  | 1        |
| KIT,SADDLEBAG SPRT BKT W/O KQR (Ref # 99994A) | 99994-0819  | 1        |
| KIT-ACC,LUGGAGE RACK W/O KQR (Ref # 99994B)   | 99994-0846  | 1        |