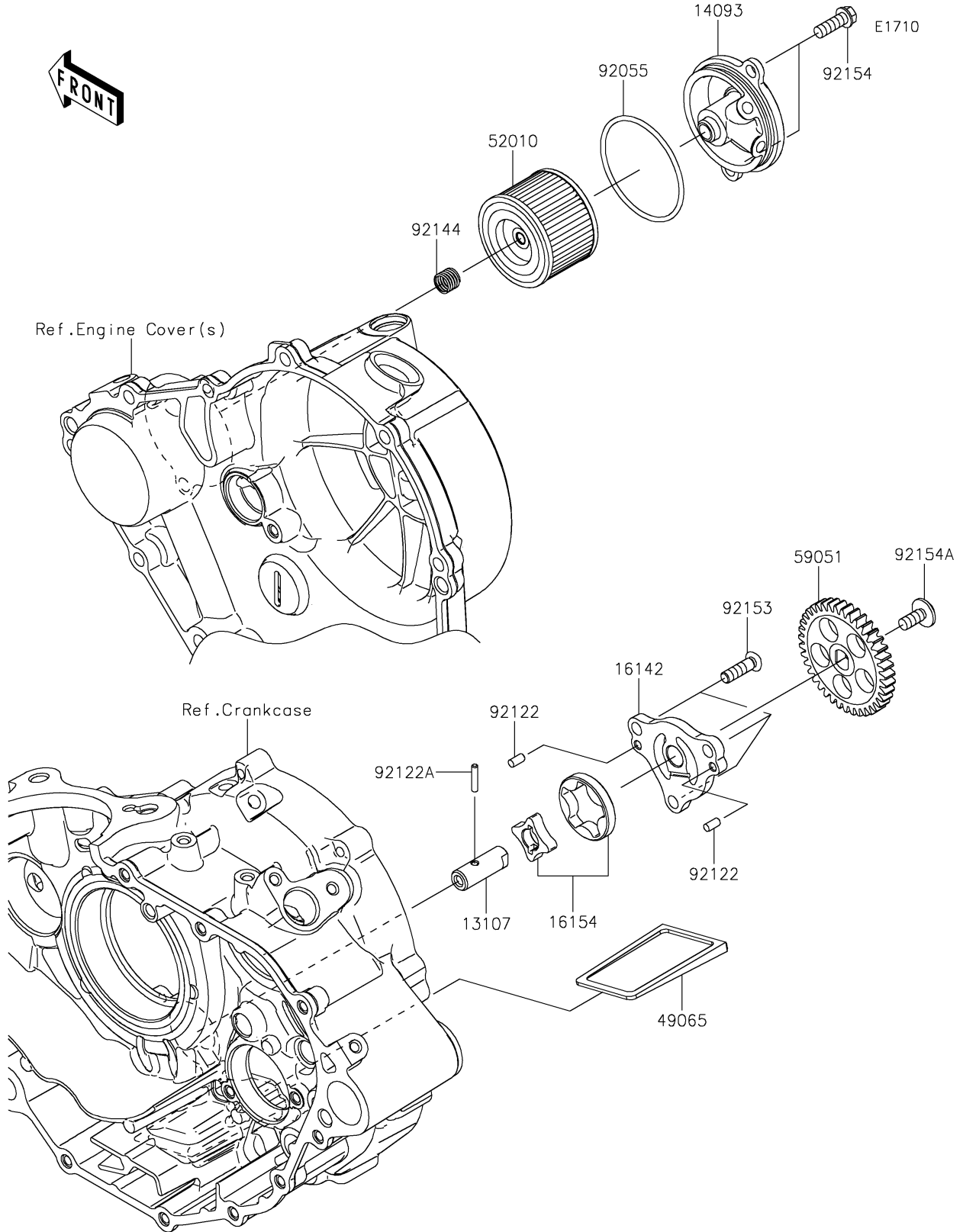


2020 KLX® 230 PARTS DIAGRAM

Oil Pump



2020 KLX® 230 PARTS LIST

Oil Pump

| ITEM NAME | PART NUMBER | QUANTITY |
|----------------------------------|-------------|----------|
| SHAFT,OIL PUMP (Ref # 13107) | 13107-0891 | 1 |
| COVER,OIL FILTER (Ref # 14093) | 14093-0786 | 1 |
| COVER-PUMP,OIL (Ref # 16142) | 16142-0760 | 1 |
| ROTOR-PUMP (Ref # 16154) | 16154-0747 | 1 |
| FILTER-OIL (Ref # 49065) | 49065-1058 | 1 |
| ELEMENT-OIL FILTER (Ref # 52010) | 52010-1053 | 1 |
| GEAR-SPUR,39T (Ref # 59051) | 59051-0819 | 1 |
| RING-O,52.6X2.4 (Ref # 92055) | 92055-1577 | 1 |
| ROLLER,4X8 (Ref # 92122) | 92122-0557 | 2 |
| ROLLER,3X15.8 (Ref # 92122A) | 92122-1126 | 1 |
| SPRING (Ref # 92144) | 92144-1761 | 1 |
| BOLT,TORX,6X20 (Ref # 92153) | 92153-1653 | 3 |
| BOLT,FLANGED,6X18 (Ref # 92154) | 92154-1775 | 2 |
| BOLT,SOCKET,6X14 (Ref # 92154A) | 92154-2731 | 1 |