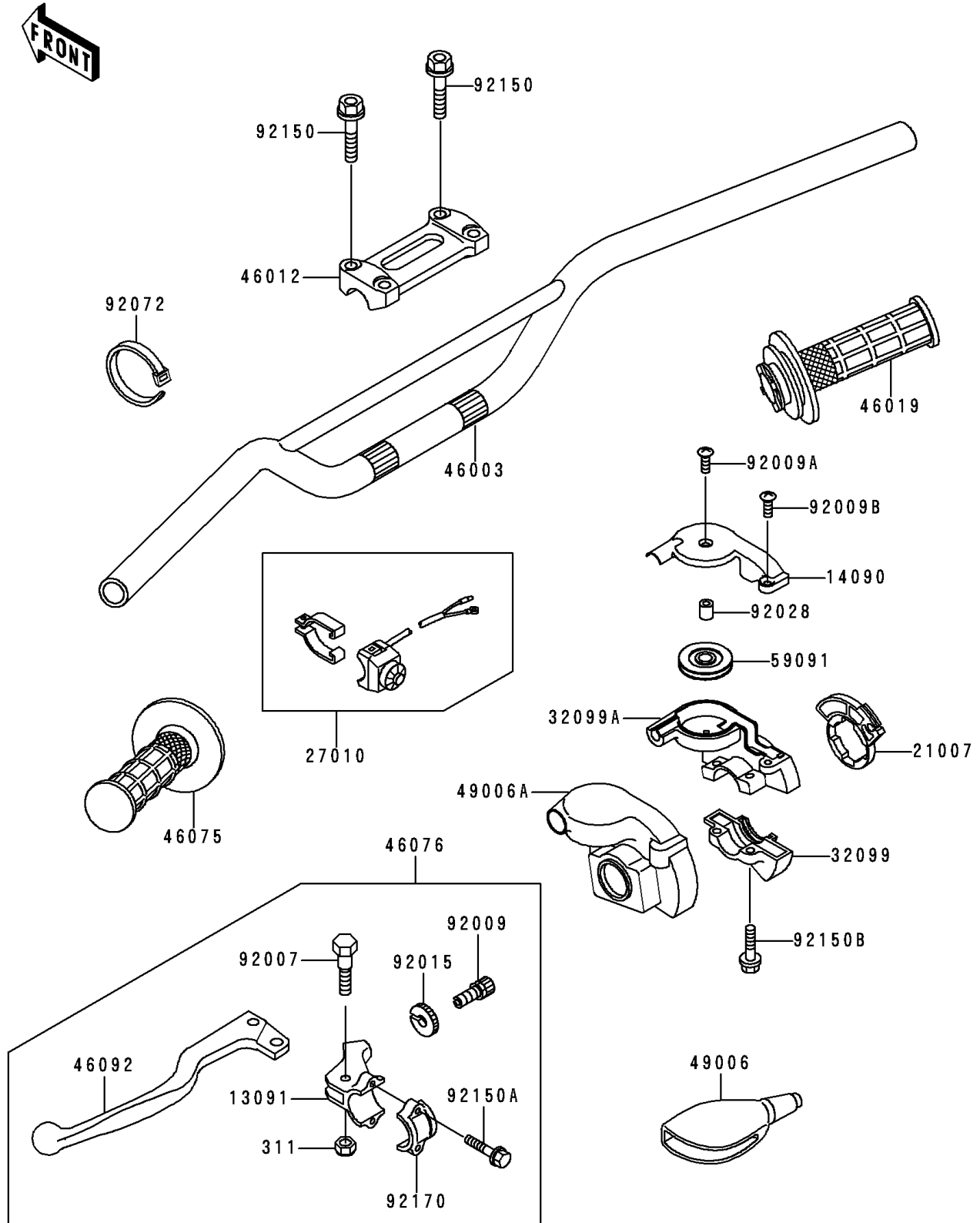


# 1996 KX250 PARTS DIAGRAM

Handlebar

F2310



# 1996 KX250 PARTS LIST

## Handlebar

ITEM NAME	PART NUMBER	QUANTITY
NUT-HEX (Ref # 311)	311C0500	1
HOLDER,CLUTCH LEVER (Ref # 13091)	13091-1728	1
COVER,THROTTLE CASE,UPP (Ref # 14090)	14090-1161	1
ROTOR,THROTTLE (Ref # 21007)	21007-1242	1
SWITCH,ENGINE STOP (Ref # 27010)	27010-1350	1
CASE,THROTTLE,LWR (Ref # 32099)	32099-1138	1
CASE,THROTTLE,UPP (Ref # 32099A)	32099-1168	1
HANDLE,L.GREEN (Ref # 46003)	46003-1422-CC	1
HOLDER-HANDLE,UPP (Ref # 46012)	46012-1190	1
GRIP-ASSY,THROTTLE (Ref # 46019)	46019-1076	1
GRIP,LH (Ref # 46075)	46075-1024	1
LEVER-ASSY-GRIP,CLUTCH (Ref # 46076)	46076-1182	1
LEVER-GRIP,CLUTCH (Ref # 46092)	46092-1165	1
BOOT,LEVER HOLDER (Ref # 49006)	49006-1017	1
BOOT,THROTTLE (Ref # 49006A)	49006-1301	1
PULLEY,THROTTLE (Ref # 59091)	59091-1102	1
BOLT,5X22 (Ref # 92007)	92007-046	1
SCREW,CABLE ADJUST,8MM (Ref # 92009)	92009-1435	1
SCREW (Ref # 92009A)	92009-1674	1
SCREW (Ref # 92009B)	92009-1675	1
NUT,CABLE ADJUST LOCK (Ref # 92015)	92015-1596	1
BUSHING,THROTTLE CASE (Ref # 92028)	92028-1658	1
BAND,L=123 (Ref # 92072)	92072-030	1
BOLT,FLANGED,8X30 (Ref # 92150)	92150-1455	4
BOLT (Ref # 92150A)	92150-1474	2
BOLT (Ref # 92150B)	92150-1559	2
CLAMP,LEVER HOLDER (Ref # 92170)	92170-1226	1