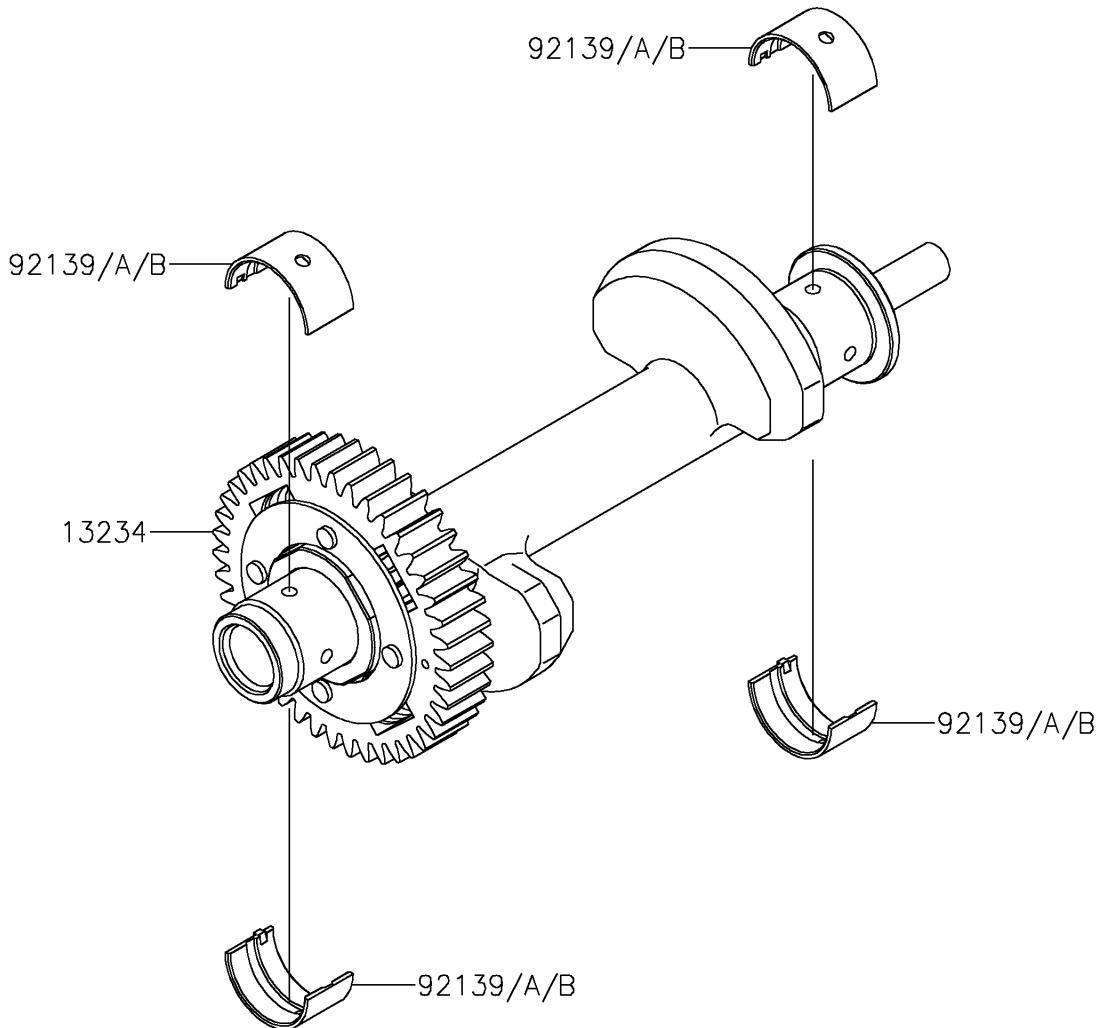


# 2020 NINJA® 650 ABS PARTS DIAGRAM

Balancer

E1323



## 2020 NINJA® 650 ABS PARTS LIST

### Balancer

ITEM NAME	PART NUMBER	QUANTITY
SHAFT-COMP,BALANCER (Ref # 13234)	13234-0602	1
BUSHING,BALANCER,BLUE (Ref # 92139)	92139-0117	4
BUSHING,BALANCER,BLACK (Ref # 92139A)	92139-0118	AR
BUSHING,BALANCER,BROWN (Ref # 92139B)	92139-0119	AR