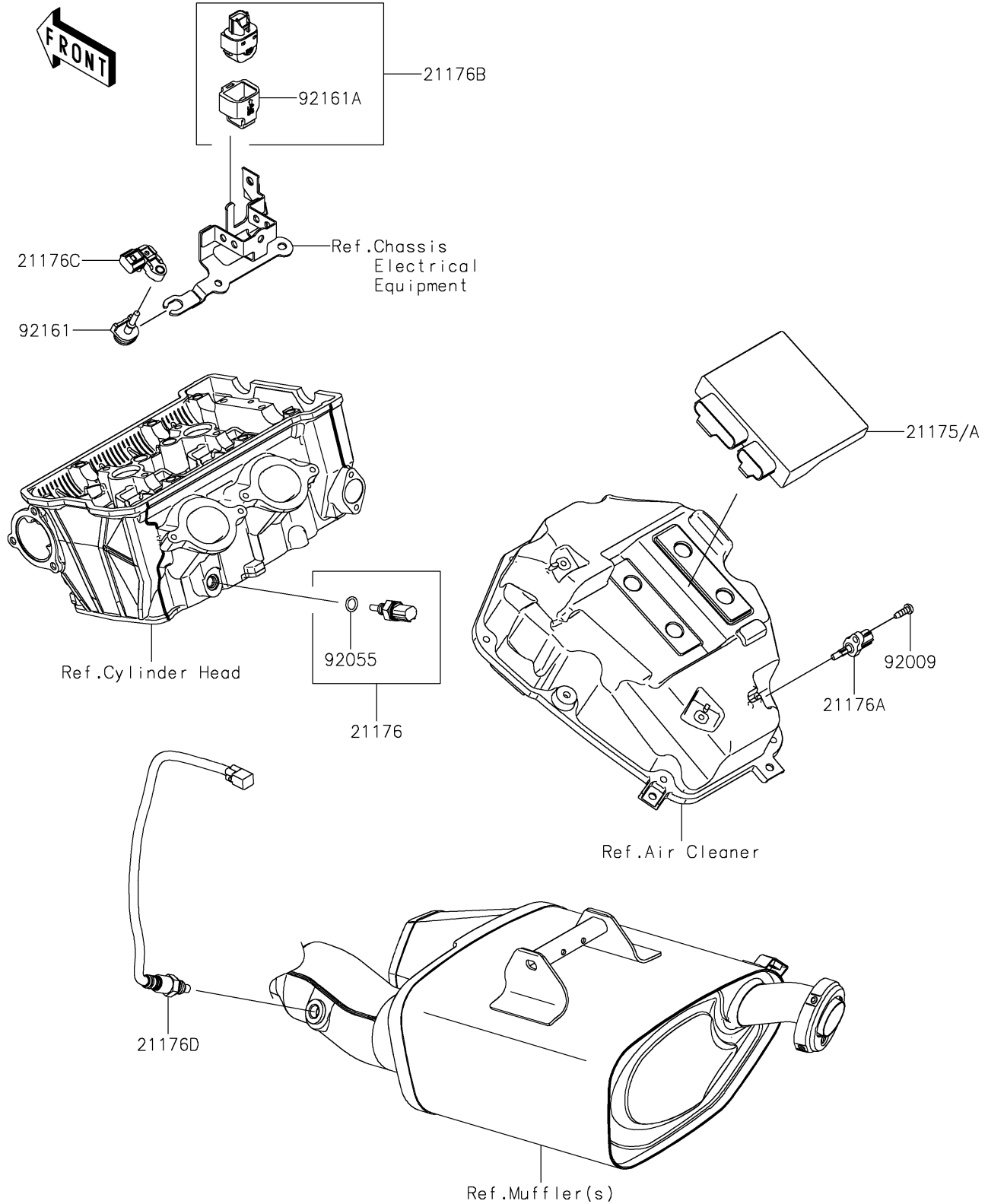


2020 NINJA® 650 ABS PARTS DIAGRAM

Fuel Injection

E1530



2020 NINJA® 650 ABS PARTS LIST

Fuel Injection

| ITEM NAME | PART NUMBER | QUANTITY |
|--|-------------|----------|
| CONTROL UNIT-ELECTRONIC (Ref # 21175) | 21175-1187 | 1 |
| CONTROL UNIT-ELECTRONIC (Ref # 21175A) | 21175-1194 | 1 |
| SENSOR,WATER TEMP (Ref # 21176) | 21176-0009 | 1 |
| SENSOR,AIR TEMPERATURE (Ref # 21176A) | 21176-0048 | 1 |
| SENSOR,VEHICLE-DOWN (Ref # 21176B) | 21176-0704 | 1 |
| SENSOR,PRESSURE (Ref # 21176C) | 21176-0906 | 1 |
| SENSOR,OXYGEN (Ref # 21176D) | 21176-0968 | 1 |
| SCREW,TAPPING,5X16 (Ref # 92009) | 92009-1984 | 1 |
| RING-O,9.5X1.9 (Ref # 92055) | 92055-0016 | 1 |
| DAMPER (Ref # 92161) | 92161-0673 | 1 |
| DAMPER (Ref # 92161A) | 92161-0951 | 1 |