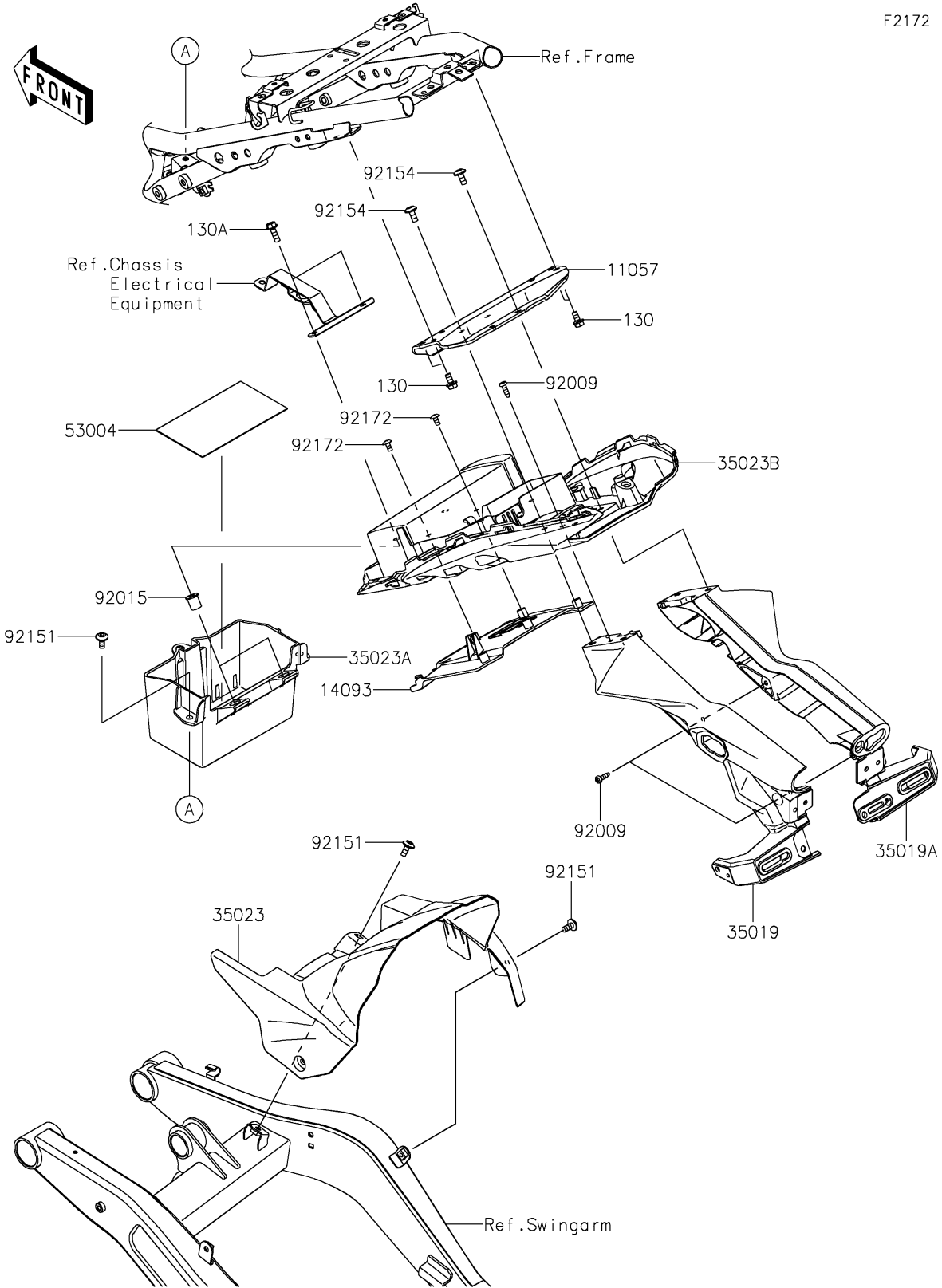


2020 NINJA® 650 ABS KRT EDITION PARTS DIAGRAM

Rear Fender(s)

F2172



2020 NINJA® 650 ABS KRT EDITION PARTS LIST

Rear Fender(s)

| ITEM NAME | PART NUMBER | QUANTITY |
|----------------------------------|-------------|----------|
| BRACKET,FLAP (Ref # 11057) | 11057-0757 | 1 |
| BOLT-FLANGED,6X12 (Ref # 130) | 130BA0612 | 4 |
| BOLT-FLANGED,6X18 (Ref # 130A) | 130BA0618 | 2 |
| COVER (Ref # 14093) | 14093-0482 | 1 |
| FLAP,LH (Ref # 35019) | 35019-0671 | 1 |
| FLAP,RH (Ref # 35019A) | 35019-0672 | 1 |
| FENDER-REAR (Ref # 35023) | 35023-0417 | 1 |
| FENDER-REAR,FR (Ref # 35023A) | 35023-0418 | 1 |
| FENDER-REAR,RR (Ref # 35023B) | 35023-0419 | 1 |
| MAT,BATTERY (Ref # 53004) | 53004-0560 | 1 |
| SCREW,TAPPING,5X16 (Ref # 92009) | 92009-1984 | 3 |
| NUT (Ref # 92015) | 92015-1700 | 2 |
| BOLT,SOCKET,6X14 (Ref # 92151) | 92151-1654 | 4 |
| BOLT,SOCKET,6X14 (Ref # 92154) | 92154-0745 | 4 |
| SCREW,5X10 (Ref # 92172) | 92172-0864 | 5 |