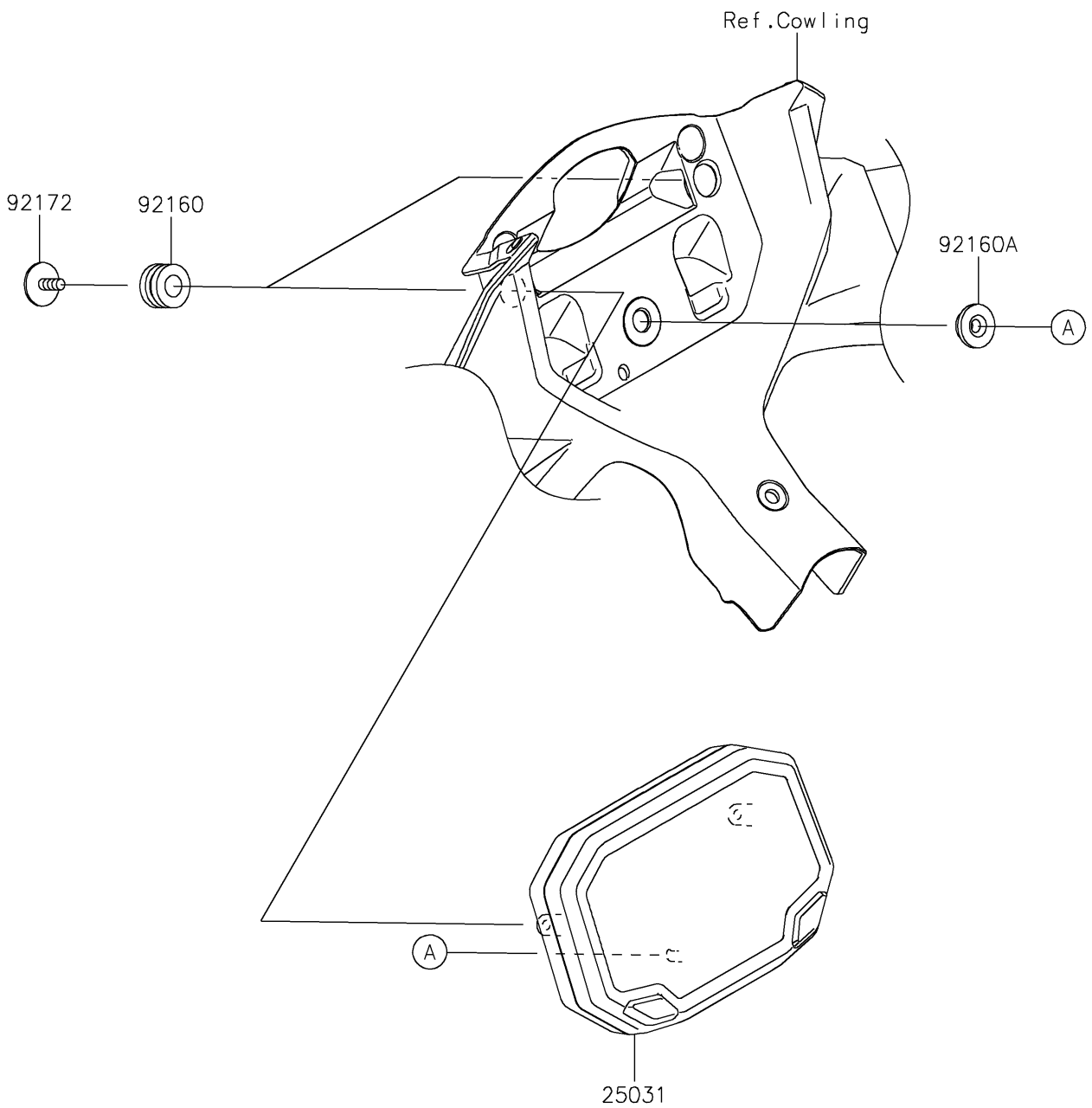


2020 NINJA® 650 ABS KRT EDITION PARTS DIAGRAM

Meter(s)

F2530



2020 NINJA® 650 ABS KRT EDITION PARTS LIST

Meter(s)

ITEM NAME	PART NUMBER	QUANTITY
METER-ASSY,TFT DISPLAY (Ref # 25031)	25031-0866	1
DAMPER,10X20X12 (Ref # 92160)	92160-1167	2
DAMPER (Ref # 92160A)	92160-1613	1
SCREW,CROSS,5X14 (Ref # 92172)	92172-1226	2