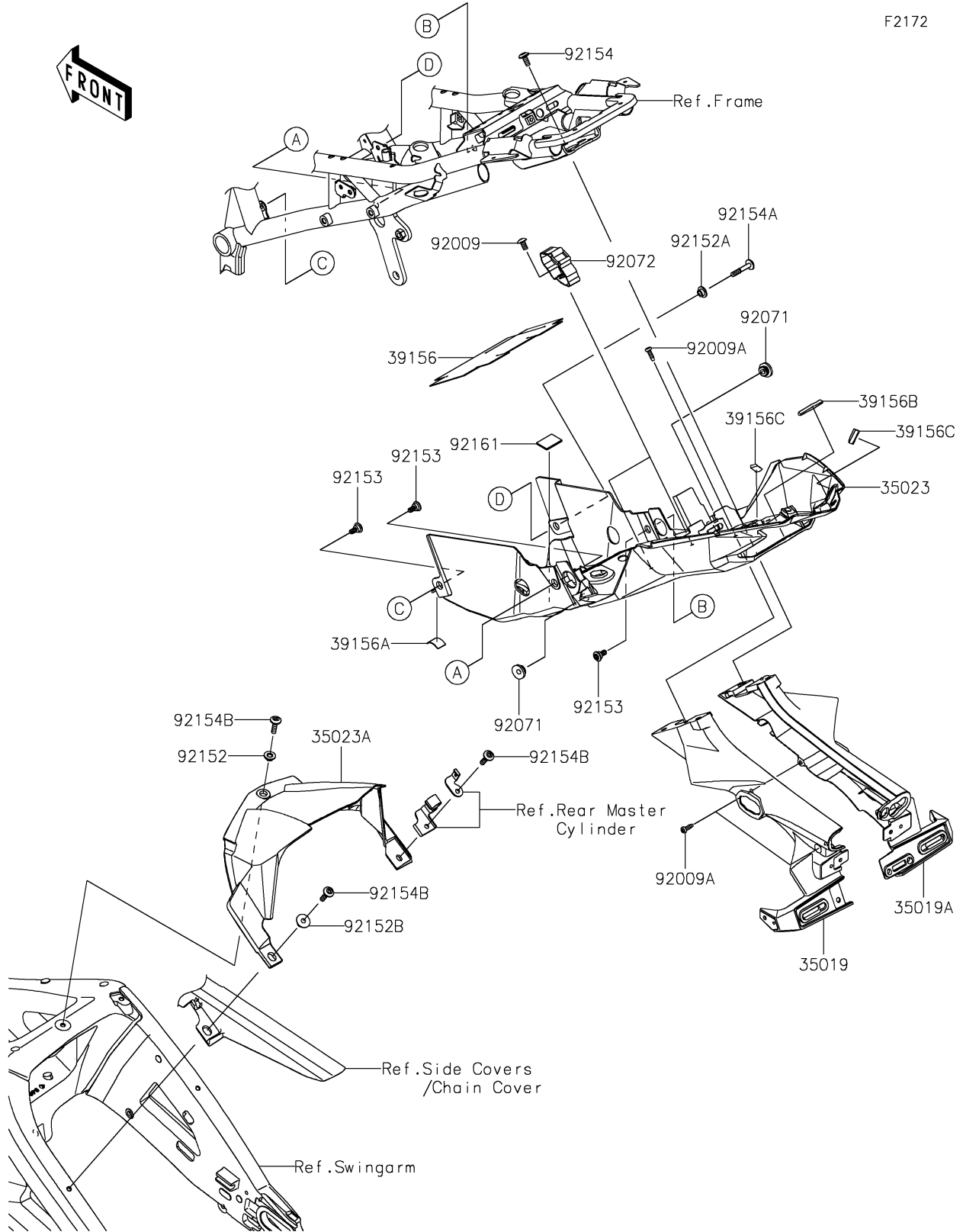


2020 Z H2 PARTS DIAGRAM

Rear Fender(s)

F2172



2020 Z H2 PARTS LIST

Rear Fender(s)

ITEM NAME	PART NUMBER	QUANTITY
FLAP,RR,LH (Ref # 35019)	35019-0677	1
FLAP,RR,RH (Ref # 35019A)	35019-0678	1
FENDER-REAR (Ref # 35023)	35023-0468	1
FENDER-REAR,HUGGER (Ref # 35023A)	35023-0469	1
PAD,195X115X1 (Ref # 39156)	39156-1884	1
PAD,15X25X1 (Ref # 39156A)	39156-2119	1
PAD,4X44X5 (Ref # 39156B)	39156-2179	1
PAD,10X15X4 (Ref # 39156C)	39156-2180	2
SCREW,6X12 (Ref # 92009)	92009-1480	2
SCREW,TAPPING,5X16 (Ref # 92009A)	92009-1984	3
GROMMET,20X24X7.5 (Ref # 92071)	92071-0766	2
BAND,TOOL CASE (Ref # 92072)	92072-1219	2
COLLAR,6.5X10X6.2 (Ref # 92152)	92152-2152	1
COLLAR,6.5X10X5.9 (Ref # 92152A)	92152-2486	1
COLLAR (Ref # 92152B)	92152-2620	1
BOLT,SOCKET,6MM (Ref # 92153)	92153-1956	3
BOLT,SOCKET,6X14 (Ref # 92154)	92154-0745	4
BOLT,SOCKET,6X34 (Ref # 92154A)	92154-1627	1
BOLT,SOCKET,6X22 (Ref # 92154B)	92154-1810	3
DAMPER,30X20X2 (Ref # 92161)	92161-0833	1