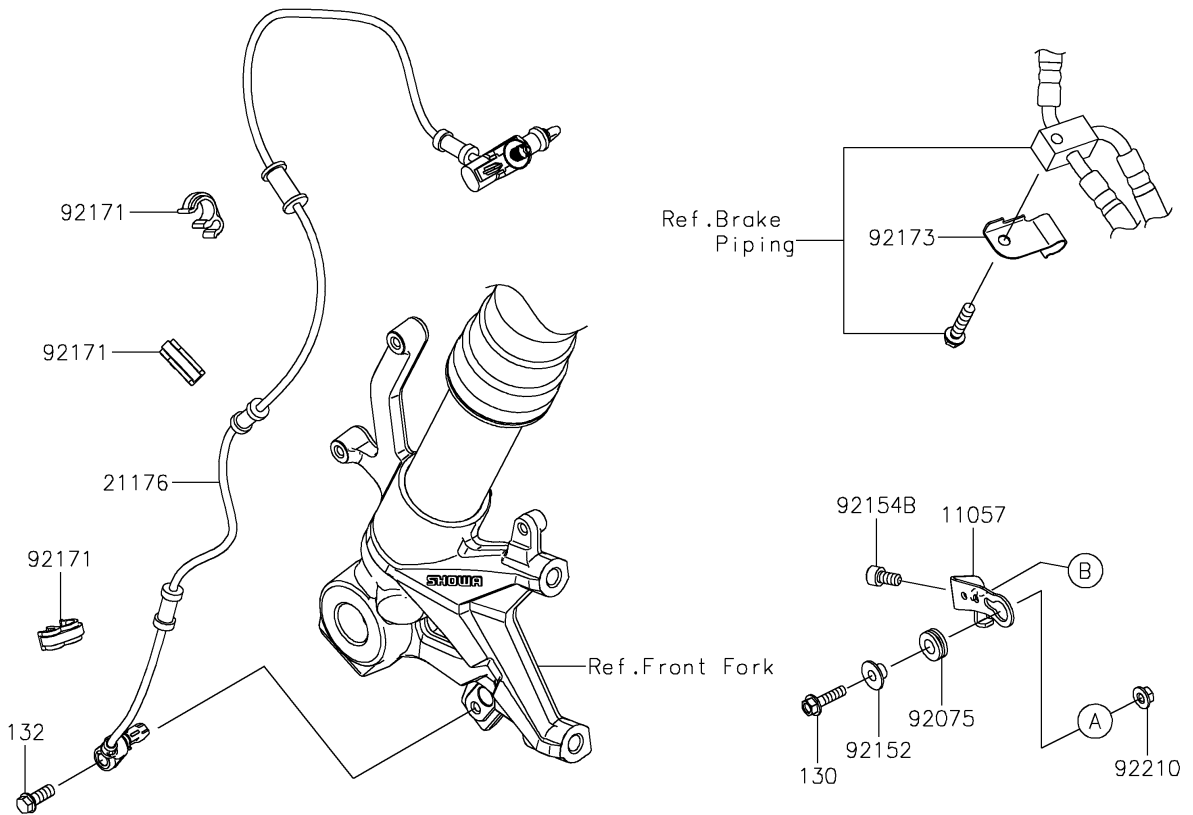
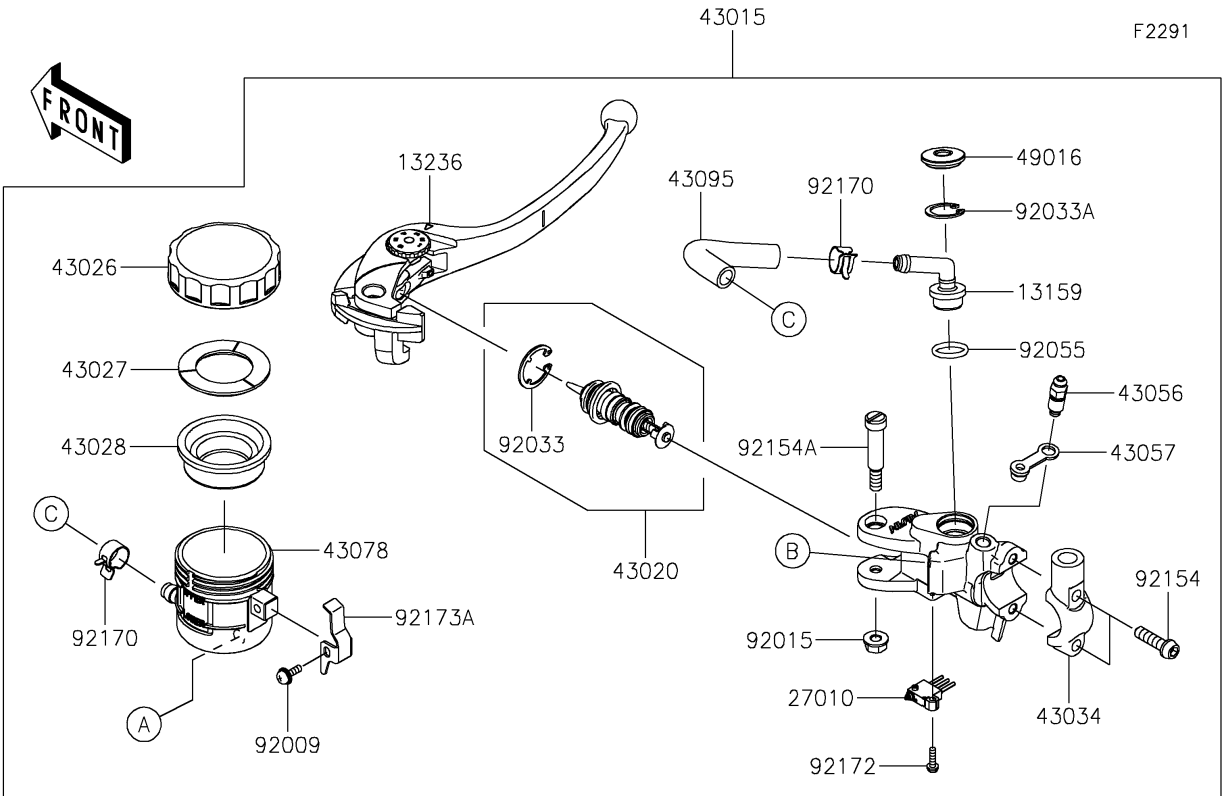


2020 Z H2 PARTS DIAGRAM

Front Master Cylinder



2020 Z H2 PARTS LIST

Front Master Cylinder

ITEM NAME	PART NUMBER	QUANTITY
BRACKET,RESERVOIR TANK (Ref # 11057)	11057-2930	1
BOLT-FLANGED,5X20 (Ref # 130)	130BB0520	1
CONNECTOR (Ref # 13159)	13159-1061	1
BOLT-FLANGED-SMALL,6X16 (Ref # 132)	132BB0616	1
LEVER-COMP,FR BRAKE (Ref # 13236)	13236-0802	1
SENSOR,FR,SPEED (Ref # 21176)	21176-0927	1
SWITCH,CRUISE CONTROL CANCEL (Ref # 27010)	27010-0931	1
CYLINDER-ASSY-MASTER,BRAKE (Ref # 43015)	43015-0761	1
PISTON-COMP-BRAKE (Ref # 43020)	43020-0028	1
CAP-BRAKE (Ref # 43026)	43026-1051	1
PLATE-DIAPHRAGM (Ref # 43027)	43027-1051	1
DIAPHRAGM,MASTER CYLINDER (Ref # 43028)	43028-1057	1
HOLDER-BRAKE,MASTER CYLINDER (Ref # 43034)	43034-0057	1
BREATHER-BRAKE (Ref # 43056)	43056-1056	1
CAP-BREATHER (Ref # 43057)	43057-1001	1
RESERVOIR (Ref # 43078)	43078-0591	1
HOSE-BRAKE (Ref # 43095)	43095-1713	1
COVER-SEAL (Ref # 49016)	49016-1147	1
SCREW (Ref # 92009)	92009-1570	1
NUT,FLANGED,6MM,BLACK (Ref # 92015)	92015-1233	1
RING-SNAP (Ref # 92033)	92033-0034	1
RING-SNAP,20.5MM (Ref # 92033A)	92033-1186	1
RING-O,14.8X2.4 (Ref # 92055)	92055-0741	1
DAMPER (Ref # 92075)	92075-161	1
COLLAR (Ref # 92152)	92152-0017	1
BOLT,SOCKET,6X22 (Ref # 92154)	92154-1724	2
BOLT,LEVER (Ref # 92154A)	92154-1912	1
BOLT,SOCKET,6X8 (Ref # 92154B)	92154-2914	1
CLAMP,HOSE (Ref # 92170)	92170-1091	2

2020 Z H2 PARTS LIST

Front Master Cylinder

ITEM NAME	PART NUMBER	QUANTITY
CLAMP,BRAKE HOSE (Ref # 92171)	92171-1819	3
SCREW (Ref # 92172)	92172-1243	1
CLAMP (Ref # 92173)	92173-0086	1
CLAMP (Ref # 92173A)	92173-1790	1
NUT,FLANGED,5MM (Ref # 92210)	92210-0007	1