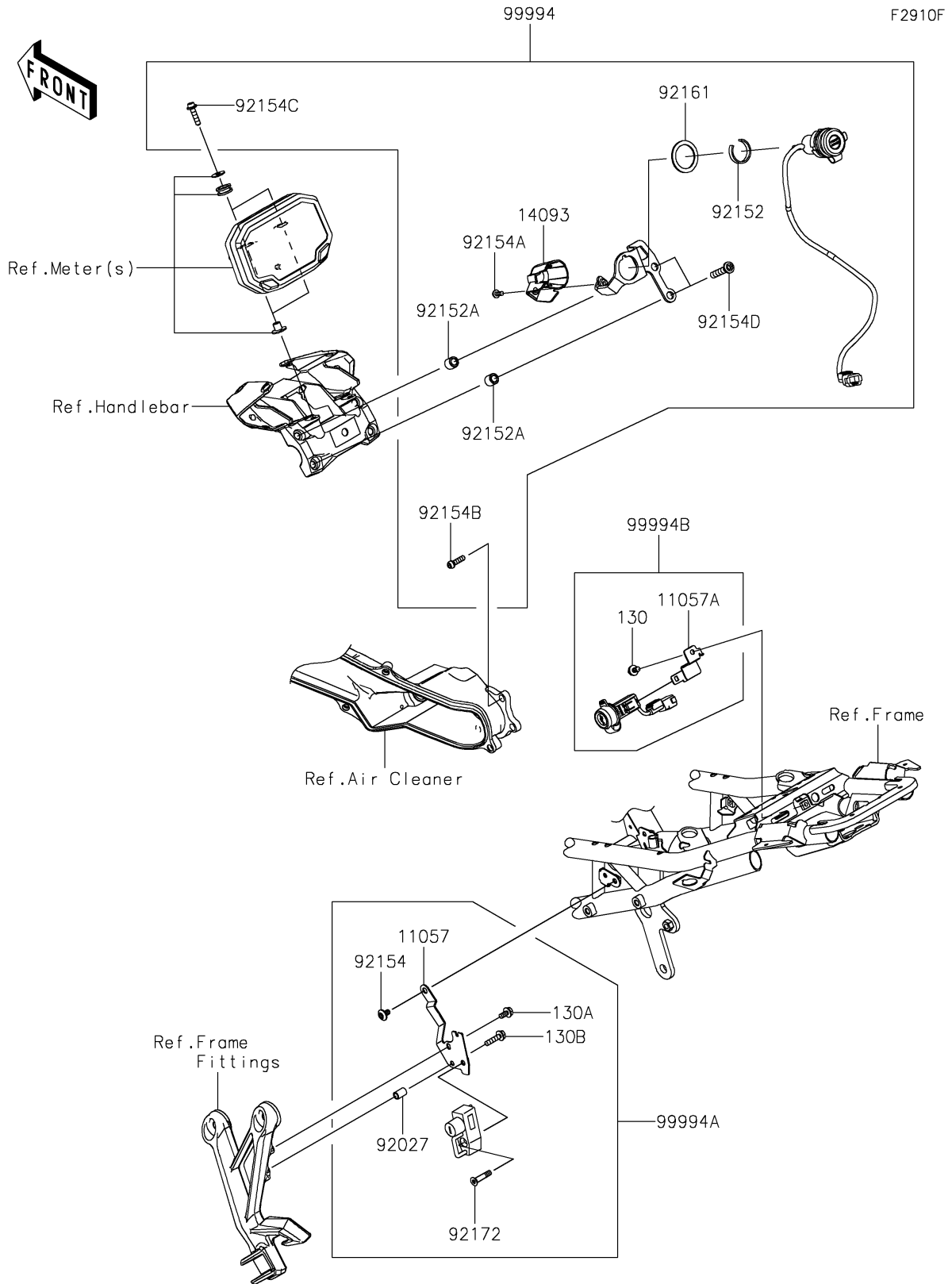


2020 Z H2 PARTS DIAGRAM

Accessory(Helmet Lock and DC Socket)



2020 Z H2 PARTS LIST

Accessory(Helmet Lock and DC Socket)

ITEM NAME	PART NUMBER	QUANTITY
BRACKET (Ref # 11057)	11057-3791	1
BRACKET (Ref # 11057A)	11057-3792	1
BOLT-FLANGED,6X10 (Ref # 130)	130BA0610	1
BOLT-FLANGED,6X12 (Ref # 130A)	130CB0612	1
BOLT-FLANGED,6X25 (Ref # 130B)	130CB0625	1
COVER,SOCKET (Ref # 14093)	14093-0212	1
COLLAR,6.8X10X15 (Ref # 92027)	92027-1941	1
COLLAR (Ref # 92152)	92152-2135	1
COLLAR (Ref # 92152A)	92152-2649	2
BOLT,SOCKET,6X10 (Ref # 92154)	92154-0774	1
BOLT,SOCKET,5X12 (Ref # 92154A)	92154-0917	1
BOLT,SOCKET,6X22,MEC (Ref # 92154B)	92154-2736	3
BOLT,SOCKET,6X25 (Ref # 92154C)	92154-2826	2
BOLT,SOCKET (Ref # 92154D)	92154-4086	2
DAMPER (Ref # 92161)	92161-1789	1
SCREW,HEXLOBE,6X30 (Ref # 92172)	92172-1378	1
12V OUTPUT SOCKET (Ref # 99994)	99994-1390	1
HELMET LOCK (Ref # 99994A)	99994-1436	1
USB SOCKET (Ref # 99994B)	99994-1437	1