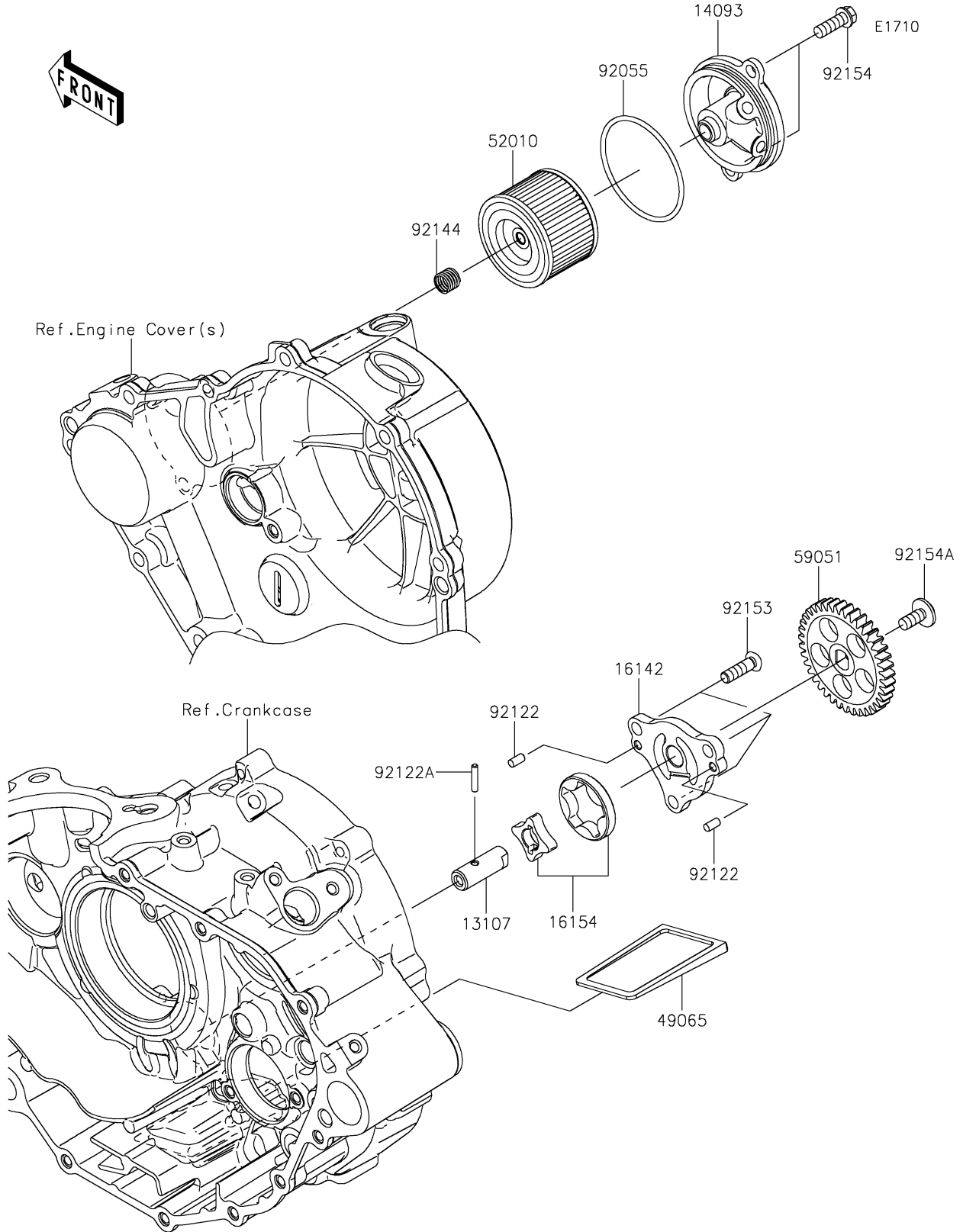


2021 KLX® 230 PARTS DIAGRAM

Oil Pump



2021 KLX® 230 PARTS LIST

Oil Pump

ITEM NAME	PART NUMBER	QUANTITY
SHAFT,OIL PUMP (Ref # 13107)	13107-0891	1
COVER,OIL FILTER (Ref # 14093)	14093-0786	1
COVER-PUMP,OIL (Ref # 16142)	16142-0760	1
ROTOR-PUMP (Ref # 16154)	16154-0747	1
FILTER-OIL (Ref # 49065)	49065-1058	1
ELEMENT-OIL FILTER (Ref # 52010)	52010-1053	1
GEAR-SPUR,39T (Ref # 59051)	59051-0819	1
RING-O,52.6X2.4 (Ref # 92055)	92055-1577	1
ROLLER,4X8 (Ref # 92122)	92122-0557	2
ROLLER,3X15.8 (Ref # 92122A)	92122-1126	1
SPRING (Ref # 92144)	92144-1761	1
BOLT,TORX,6X20 (Ref # 92153)	92153-1653	3
BOLT,FLANGED,6X18 (Ref # 92154)	92154-1775	2
BOLT,SOCKET,6X14 (Ref # 92154A)	92154-2731	1