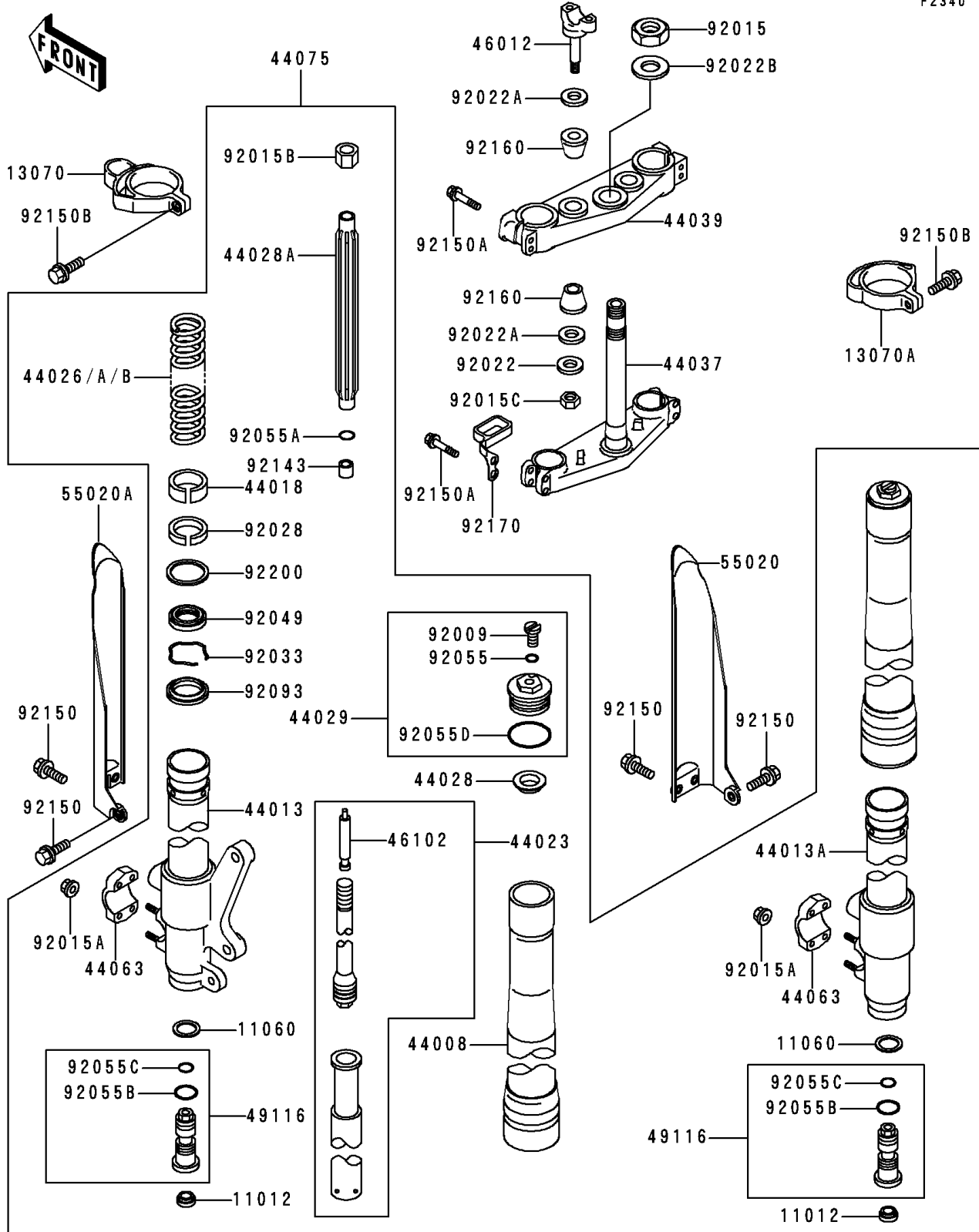


1998 KX250 PARTS DIAGRAM

Front Fork

F2340



1998 KX250 PARTS LIST

Front Fork

ITEM NAME	PART NUMBER	QUANTITY
CAP (Ref # 11012)	11012-1692	2
GASKET (Ref # 11060)	11060-1707	2
GUIDE,PROTECTOR,LH,WHITE (Ref # 13070)	13070-1289-RZ	1
GUIDE,PROTECTOR,RH,WHITE (Ref # 13070A)	13070-1290-RZ	1
PIPE-FORK OUTER,A.N.GOLD (Ref # 44008)	44008-1042-14	2
PIPE-FORK INNER,LH (Ref # 44013)	44013-1447	1
PIPE-FORK INNER,RH (Ref # 44013A)	44013-1448	1
PISTON-FORK,INNER PIPE (Ref # 44018)	44018-1059	2
CYLINDER-SET-FORK (Ref # 44023)	44023-1124	2
SPRING-FRONT FORK,K=0.41 (Ref # 44026)	44026-1662	2
SPRING-FRONT FORK,K=0.40 (Ref # 44026A)	44026-1668	2
SPRING-FRONT FORK,K=0.42 (Ref # 44026B)	44026-1670	2
GUIDE-FORK SPRING (Ref # 44028)	44028-1097	2
GUIDE-FORK SPRING (Ref # 44028A)	44028-1100	2
SEAT-FORK SPRING (Ref # 44029)	44029-1159	2
HOLDER-FORK UNDER (Ref # 44037)	44037-1371	1
HOLDER-FORK UPPER (Ref # 44039)	44039-1262	1
HOLDER-FRONT AXLE (Ref # 44063)	44063-1060	2
DAMPER-SET-FORK,A.N.GOLD (Ref # 44075)	44075-1061-14	1
HOLDER-HANDLE,LWR (Ref # 46012)	46012-1264	2
ROD,FORK,INNER (Ref # 46102)	46102-1403	2
VALVE-ASSY,FORK (Ref # 49116)	49116-1155	2
GUARD,FORK,RH,WHITE (Ref # 55020)	55020-1493-RZ	1
GUARD,FORK,LH,WHITE (Ref # 55020A)	55020-1554-RZ	1
SCREW (Ref # 92009)	92009-1568	2
NUT,24MM (Ref # 92015)	92015-1057	1
NUT,FLANGED,6MM (Ref # 92015A)	92015-1078	8
NUT (Ref # 92015B)	92015-1872	2
NUT,LOCK,10MM (Ref # 92015C)	92015-1962	2

1998 KX250 PARTS LIST

Front Fork

ITEM NAME	PART NUMBER	QUANTITY
WASHER,10.2X28X2 (Ref # 92022)	92022-1088	2
WASHER (Ref # 92022A)	92022-1737	4
WASHER,25X36X2.3 (Ref # 92022B)	92022-250	1
BUSHING (Ref # 92028)	92028-1755	2
RING-SNAP (Ref # 92033)	92033-1264	2
SEAL-OIL,FORK OUTER TUBE (Ref # 92049)	92049-1440	2
RING-O (Ref # 92055)	92055-1441	2
RING-O (Ref # 92055A)	92055-1442	2
RING-O,FORK VALVE (Ref # 92055B)	92055-1547	2
RING-O,FORK VALVE (Ref # 92055C)	92055-1548	2
RING-O (Ref # 92055D)	92055-1549	2
SEAL,FORK OUTER TUBE (Ref # 92093)	92093-1392	2
COLLAR,FORK (Ref # 92143)	92143-1913	2
BOLT,6X12 (Ref # 92150)	92150-1435	6
BOLT,FLANGED,8X40 (Ref # 92150A)	92150-1516	8
BOLT,5X16 (Ref # 92150B)	92150-1802	2
DAMPER,HANDLE HOLDER (Ref # 92160)	92160-1544	4
CLAMP,HOSE (Ref # 92170)	92170-1604	1
WASHER (Ref # 92200)	92200-1006	2