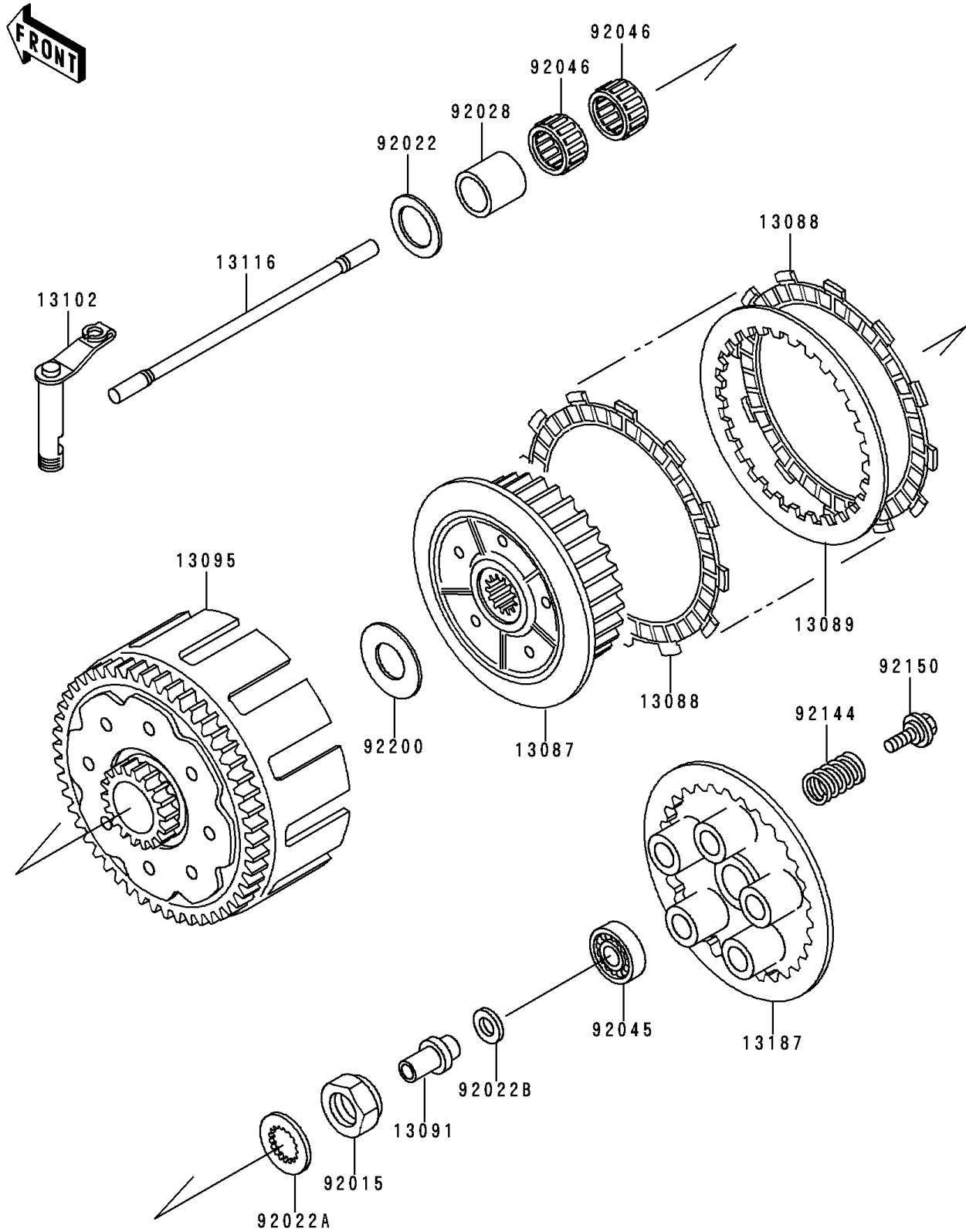


2000 KX250 PARTS DIAGRAM

Clutch

E1350



2000 KX250 PARTS LIST

Clutch

| ITEM NAME | PART NUMBER | QUANTITY |
|--|-------------|----------|
| HUB-CLUTCH (Ref # 13087) | 13087-1168 | 1 |
| PLATE-FRICTION (Ref # 13088) | 13088-1105 | 8 |
| PLATE-CLUTCH (Ref # 13089) | 13089-1066 | 7 |
| HOLDER (Ref # 13091) | 13091-1762 | 1 |
| HOUSING-COMP-CLUTCH (Ref # 13095) | 13095-1368 | 1 |
| RELEASE-COMP-CLUTCH (Ref # 13102) | 13102-1146 | 1 |
| ROD-PUSH (Ref # 13116) | 13116-1162 | 1 |
| PLATE-CLUTCH OPERATING (Ref # 13187) | 13187-1012 | 1 |
| NUT,20MM (Ref # 92015) | 92015-1725 | 1 |
| WASHER,25.5X38X2 (Ref # 92022) | 92022-1075 | 1 |
| WASHER (Ref # 92022A) | 92022-1942 | 1 |
| WASHER,12.3X20X0.5 (Ref # 92022B) | 92022-269 | 1 |
| BUSHING (Ref # 92028) | 92028-1702 | 1 |
| BEARING-BALL,6001C3ML01 (Ref # 92045) | 92045-1235 | 1 |
| BEARING-NEEDLE,K30X34X13.8 (Ref # 92046) | 92046-1222 | 2 |
| SPRING,CLUTCH (Ref # 92144) | 92144-1351 | 5 |
| BOLT,6X22 (Ref # 92150) | 92150-1489 | 5 |
| WASHER,22.5X47X2 (Ref # 92200) | 92200-1143 | 1 |