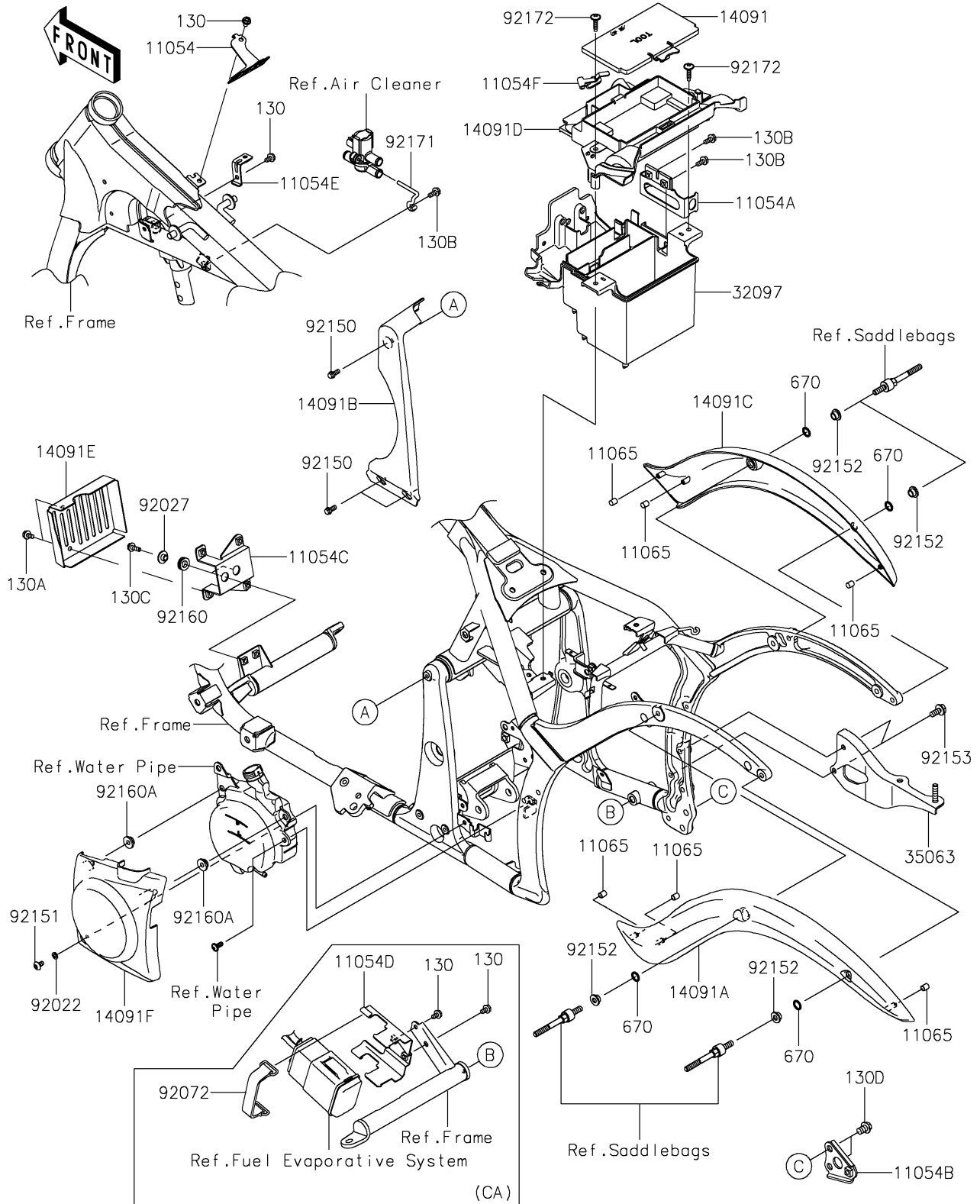


# 2021 VULCAN® 900 CLASSIC LT PARTS DIAGRAM

## Frame Fittings

F2131



## 2021 VULCAN® 900 CLASSIC LT PARTS LIST

### Frame Fittings

| ITEM NAME                                   | PART NUMBER    | QUANTITY |
|---|----------------|----------|
| BRACKET,FRONT COUPLER (Ref # 11054)         | 11054-0119     | 1        |
| BRACKET,RELAY BOX (Ref # 11054A)            | 11054-0120     | 1        |
| BRACKET,MUFFLER (Ref # 11054B)              | 11054-0122     | 1        |
| BRACKET,REGULATOR (Ref # 11054C)            | 11054-0124     | 1        |
| BRACKET,BOOST SENSOR (Ref # 11054E)         | 11054-0736     | 1        |
| BRACKET,HELMET LOCK (Ref # 11054F)          | 11054-0738     | 1        |
| CAP (Ref # 11065)                           | 11065-0156     | 6        |
| BOLT-FLANGED,6X12 (Ref # 130A)              | 130BB0612      | 2        |
| BOLT-FLANGED,6X14 (Ref # 130B)              | 130BB0614      | 3        |
| BOLT-FLANGED,6X20 (Ref # 130C)              | 130BB0620      | 2        |
| BOLT-FLANGED,10X14 (Ref # 130D)             | 130BB1014      | 2        |
| COVER,TOOL CASE (Ref # 14091)               | 14091-0520     | 1        |
| COVER,FENDER,LH (Ref # 14091A)              | 14091-0521     | 1        |
| COVER,PIVOT (Ref # 14091B)                  | 14091-0526     | 1        |
| COVER,FENDER,RH (Ref # 14091C)              | 14091-0638     | 1        |
| COVER,BATTERY CASE&TOOL CASE (Ref # 14091D) | 14091-0733     | 1        |
| COVER,REGULATOR (Ref # 14091E)              | 14091-0836     | 1        |
| COVER,RESERVOIR TANK (Ref # 14091F)         | 14091-1628     | 1        |
| CASE-BATTERY (Ref # 32097)                  | 32097-0021     | 1        |
| STAY,MUFFLER,F.S.BLACK (Ref # 35063)        | 35063-0342-18R | 1        |
| O RING,12MM (Ref # 670)                     | 670B2012       | 4        |
| WASHER,6.2X11X1.5 (Ref # 92022)             | 92022-183      | 1        |
| COLLAR,L=7.4 (Ref # 92027)                  | 92027-1848     | 2        |
| BOLT,FLANGED,6X14 (Ref # 92150)             | 92150-1689     | 3        |
| BOLT,SOCKET,6X12 (Ref # 92151)              | 92151-1940     | 1        |
| COLLAR (Ref # 92152)                        | 92152-0381     | 4        |
| BOLT,FLANGED,8X20 (Ref # 92153)             | 92153-1704     | 2        |
| DAMPER (Ref # 92160)                        | 92160-1278     | 2        |
| DAMPER (Ref # 92160A)                       | 92160-1613     | 2        |

## 2021 VULCAN® 900 CLASSIC LT PARTS LIST

### Frame Fittings

| ITEM NAME                | PART NUMBER | QUANTITY |
|--------------------------|-------------|----------|
| CLAMP (Ref # 92171)      | 92171-0600  | 1        |
| SCREW,6X26 (Ref # 92172) | 92172-0137  | 2        |