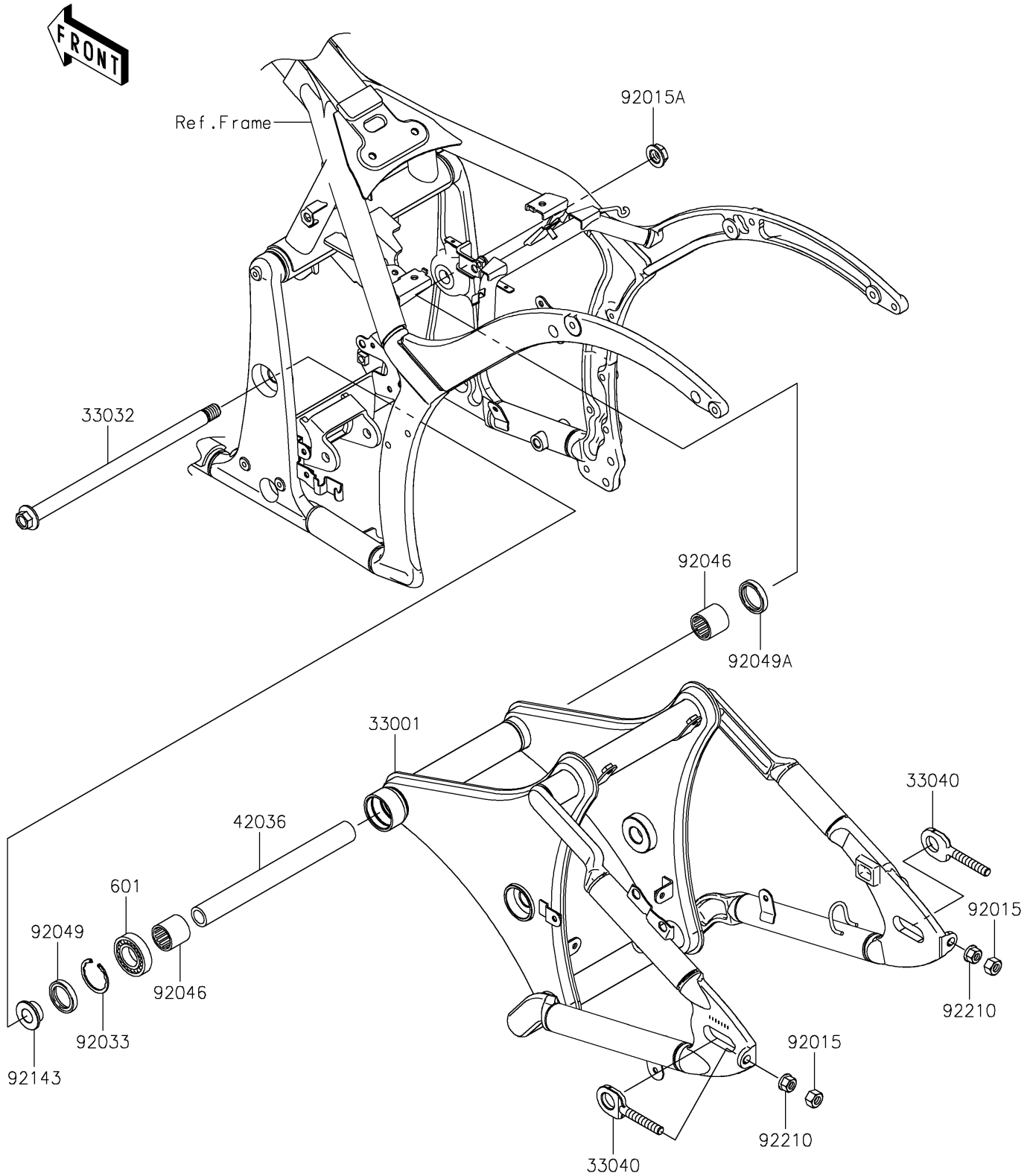


2021 VULCAN® 900 CLASSIC LT PARTS DIAGRAM

Swingarm

F2141



2021 VULCAN® 900 CLASSIC LT PARTS LIST

Swingarm

| ITEM NAME | PART NUMBER | QUANTITY |
|-----------------------------------------|----------------|----------|
| ARM-COMP-SWING,F.S.BLACK (Ref # 33001) | 33001-0226-18R | 1 |
| SHAFT-SWING ARM (Ref # 33032) | 33032-0018 | 1 |
| ADJUSTER-CHAIN (Ref # 33040) | 33040-0005 | 2 |
| SLEEVE,SWING ARM,L=246 (Ref # 42036) | 42036-0031 | 1 |
| BEARING-BALL,#6203 (Ref # 601) | 601A6203 | 1 |
| NUT,LOCK,10MM (Ref # 92015) | 92015-1494 | 2 |
| NUT,FLANGED,16MM (Ref # 92015A) | 92015-1946 | 1 |
| RING-SNAP,40MM (Ref # 92033) | 92033-1040 | 1 |
| BEARING-NEEDLE,BHTM2530-1 (Ref # 92046) | 92046-1035 | 2 |
| SEAL-OIL (Ref # 92049) | 92049-1047 | 1 |
| SEAL-OIL,MH25334 (Ref # 92049A) | 92049-1060 | 1 |
| COLLAR,RR AXLE,L=14 (Ref # 92143) | 92143-1188 | 1 |
| NUT,FLANGED,10MM (Ref # 92210) | 92210-0349 | 2 |