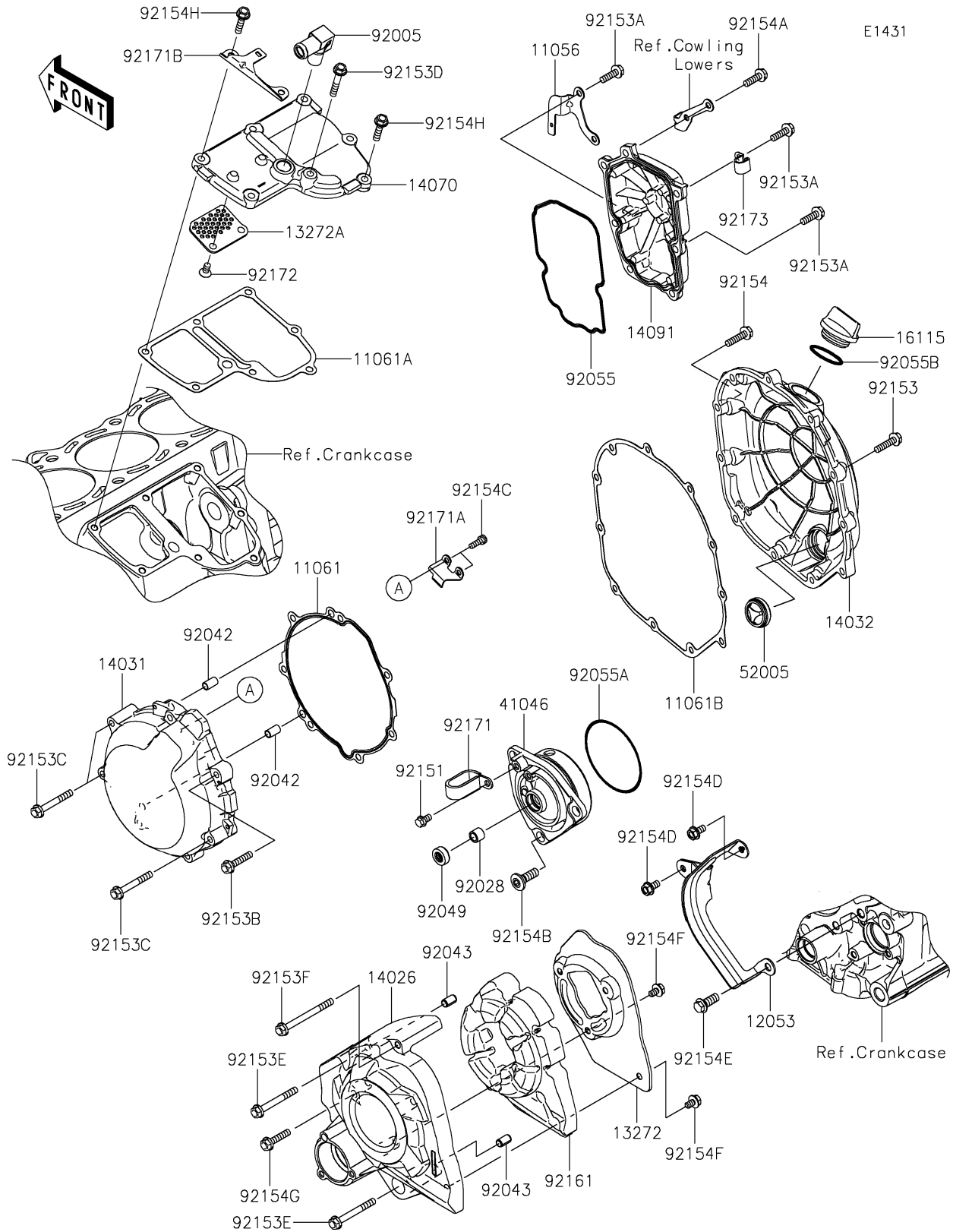


2021 NINJA® ZX™ -14R ABS PARTS DIAGRAM

Engine Cover(s)



2021 NINJA® ZX™ -14R ABS PARTS LIST

Engine Cover(s)

ITEM NAME	PART NUMBER	QUANTITY
BRACKET,OXYGEN SENSOR (Ref # 11056)	11056-7727	1
GASKET,GENERATOR COVER (Ref # 11061)	11061-0197	1
GASKET,BREATHER BODY (Ref # 11061A)	11061-0808	1
GASKET,CLUTCH COVER (Ref # 11061B)	11061-0810	1
GUIDE-CHAIN (Ref # 12053)	12053-0097	1
PLATE (Ref # 13272)	13272-0037	1
PLATE (Ref # 13272A)	13272-1311	1
COVER-CHAIN (Ref # 14026)	14026-0094	1
COVER-GENERATOR (Ref # 14031)	14031-0083	1
COVER-CLUTCH (Ref # 14032)	14032-0570	1
BODY-BREATHER (Ref # 14070)	14070-0061	1
COVER,PULSER (Ref # 14091)	14091-0896	1
CAP-OIL FILLER (Ref # 16115)	16115-1009	1
HOUSING-BEARING (Ref # 41046)	41046-0574	1
GAUGE (Ref # 52005)	52005-0024	1
FITTING (Ref # 92005)	92005-0044	1
BUSHING,8X12X10 (Ref # 92028)	92028-1750	1
PIN,DOWEL,6.3X8X14 (Ref # 92042)	92042-007	2
PIN,6.2X8X14 (Ref # 92043)	92043-1263	2
SEAL-OIL (Ref # 92049)	92049-1566	1
RING-O,PULSER COVER (Ref # 92055)	92055-0086	1
RING-O,75X2.5 (Ref # 92055A)	92055-0087	1
RING-O,31.5X2.6 (Ref # 92055B)	92055-049	1
BOLT,FLANGED,6X10 (Ref # 92151)	92151-1233	1
BOLT,FLANGED,6X25 (Ref # 92153)	92153-1569	10
BOLT,FLANGED,6X20 (Ref # 92153A)	92153-1572	6
BOLT,FLANGED,6X30 (Ref # 92153B)	92153-1574	4
BOLT,FLANGED,6X45 (Ref # 92153C)	92153-1575	3
BOLT,FLANGED,6X35 (Ref # 92153D)	92153-1579	1

2021 NINJA® ZX™ -14R ABS PARTS LIST

Engine Cover(s)

ITEM NAME	PART NUMBER	QUANTITY
BOLT,FLANGED,6X52 (Ref # 92153E)	92153-1581	2
BOLT,FLANGED,6X68 (Ref # 92153F)	92153-1583	1
BOLT,FLANGED,6X25 (Ref # 92154)	92154-1358	1
BOLT,FLANGED,6X20 (Ref # 92154A)	92154-1359	1
BOLT,SOCKET,8X25 (Ref # 92154B)	92154-1840	3
BOLT,SOCKET,5X14 (Ref # 92154C)	92154-1841	2
BOLT,FLANGED,6X12 (Ref # 92154D)	92154-1842	2
BOLT,FLANGED-SMALL,8X20 (Ref # 92154E)	92154-1843	1
BOLT,FLANGED,6X10 (Ref # 92154F)	92154-1844	4
BOLT,FLANGED,6X28 (Ref # 92154G)	92154-1845	1
BOLT,6X25 (Ref # 92154H)	92154-1847	6
DAMPER,CHAIN COVER (Ref # 92161)	92161-0837	1
CLAMP (Ref # 92171)	92171-0594	1
CLAMP (Ref # 92171A)	92171-0768	1
CLAMP (Ref # 92171B)	92171-0769	1
SCREW-CSK-CROS,6X12 (Ref # 92172)	92172-0747	2
CLAMP (Ref # 92173)	92173-0982	1