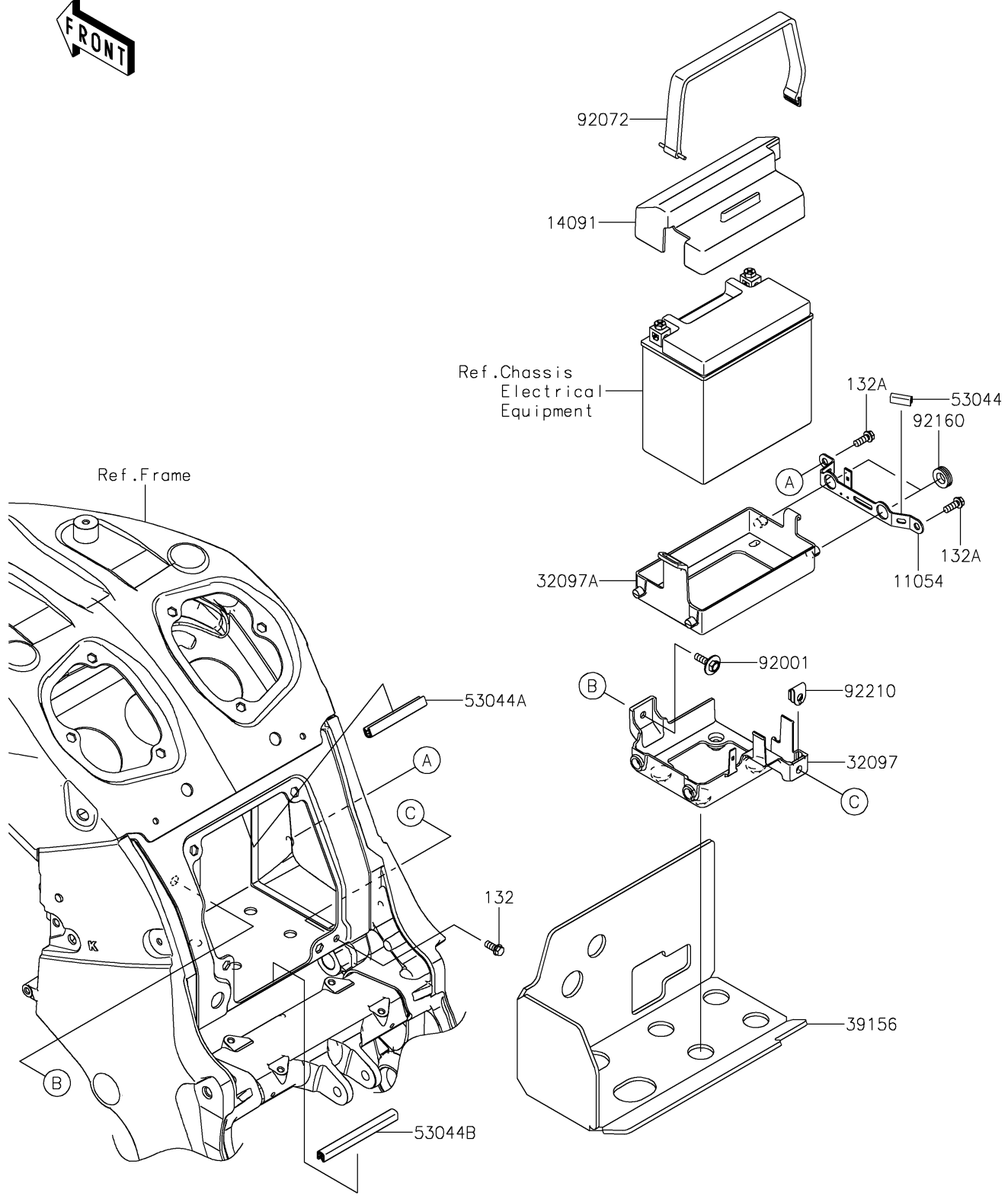


2021 NINJA® ZX™ -14R ABS PARTS DIAGRAM

Battery Case

F2132



2021 NINJA® ZX™ -14R ABS PARTS LIST

Battery Case

ITEM NAME	PART NUMBER	QUANTITY
-----------	-------------	----------