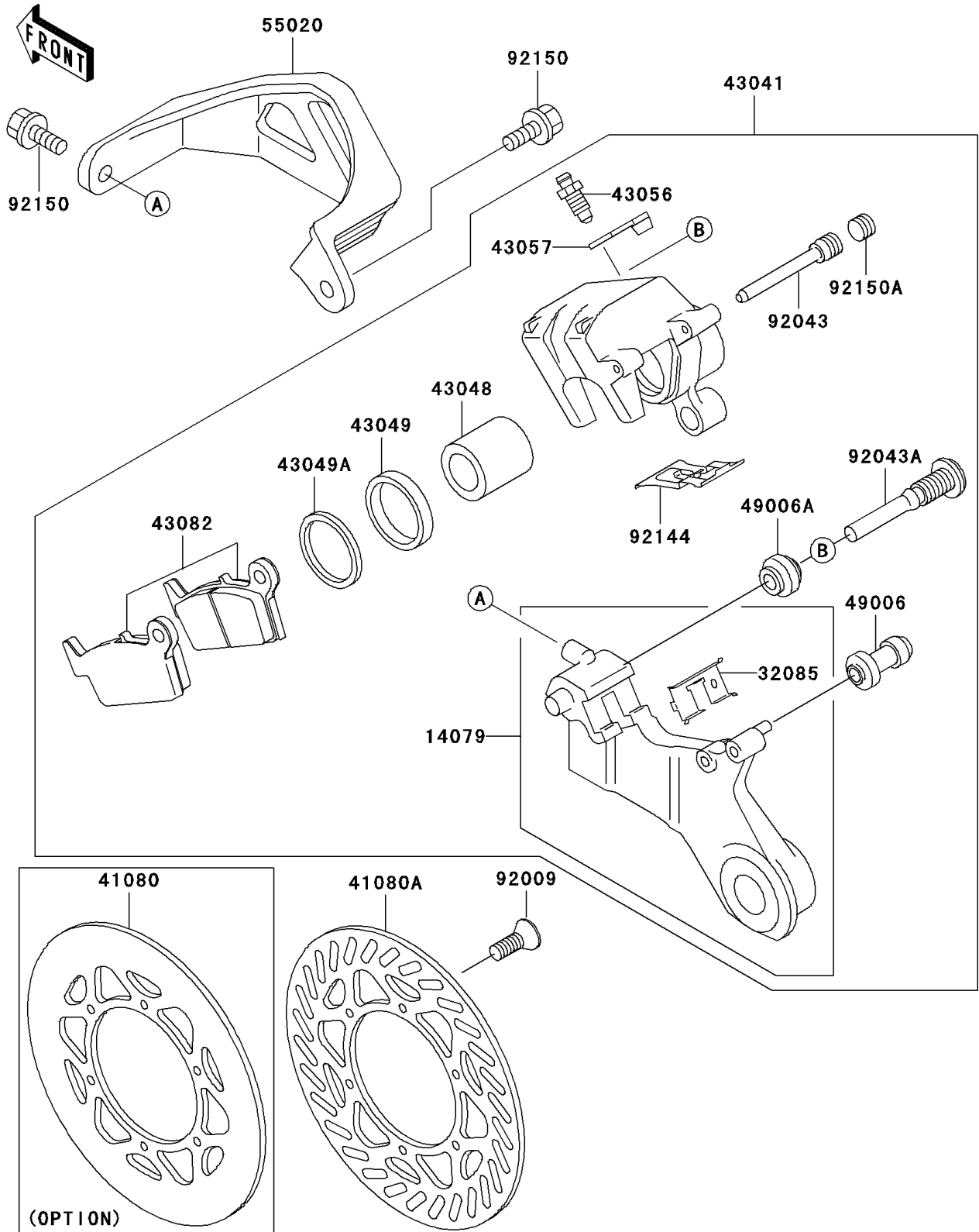


2002 KX250 PARTS DIAGRAM

Rear Brake

F2294



2002 KX250 PARTS LIST

Rear Brake

| ITEM NAME | PART NUMBER | QUANTITY |
|--|---------------|----------|
| HOLDER-ASSY,REAR CALIPER (Ref # 14079) | 14079-1111 | 1 |
| STOPPER,PAD (Ref # 32085) | 32085-1386 | 1 |
| DISC,RR (Ref # 41080) | 41080-1245 | 1 |
| DISC,RR (Ref # 41080A) | 41080-1388 | 1 |
| CALIPER-ASSY,RR (Ref # 43041) | 43041-1826 | 1 |
| PISTON-CALIPER (Ref # 43048) | 43048-1068 | 1 |
| PACKING,PISTON SEAL (Ref # 43049) | 43049-1060 | 1 |
| PACKING,PISTON SEAL (Ref # 43049A) | 43049-1061 | 1 |
| BREATHER-BRAKE (Ref # 43056) | 43056-1055 | 1 |
| CAP-BREATHER (Ref # 43057) | 43057-1001 | 1 |
| PAD-ASSY-BRAKE (Ref # 43082) | 43082-1267 | 1 |
| BOOT,CALIPER (Ref # 49006) | 49006-1088 | 1 |
| BOOT,CALIPER (Ref # 49006A) | 49006-1242 | 1 |
| GUARD,RR CALIPER,P.WHITE (Ref # 55020) | 55020-1488-6F | 1 |
| SCREW,6X14 (Ref # 92009) | 92009-1546 | 6 |
| PIN,HANGER (Ref # 92043) | 92043-1507 | 1 |
| PIN (Ref # 92043A) | 92043-1508 | 1 |
| SPRING,PAD (Ref # 92144) | 92144-1819 | 1 |
| BOLT,6X14 (Ref # 92150) | 92150-1340 | 2 |
| BOLT,PLUG (Ref # 92150A) | 92150-1692 | 1 |