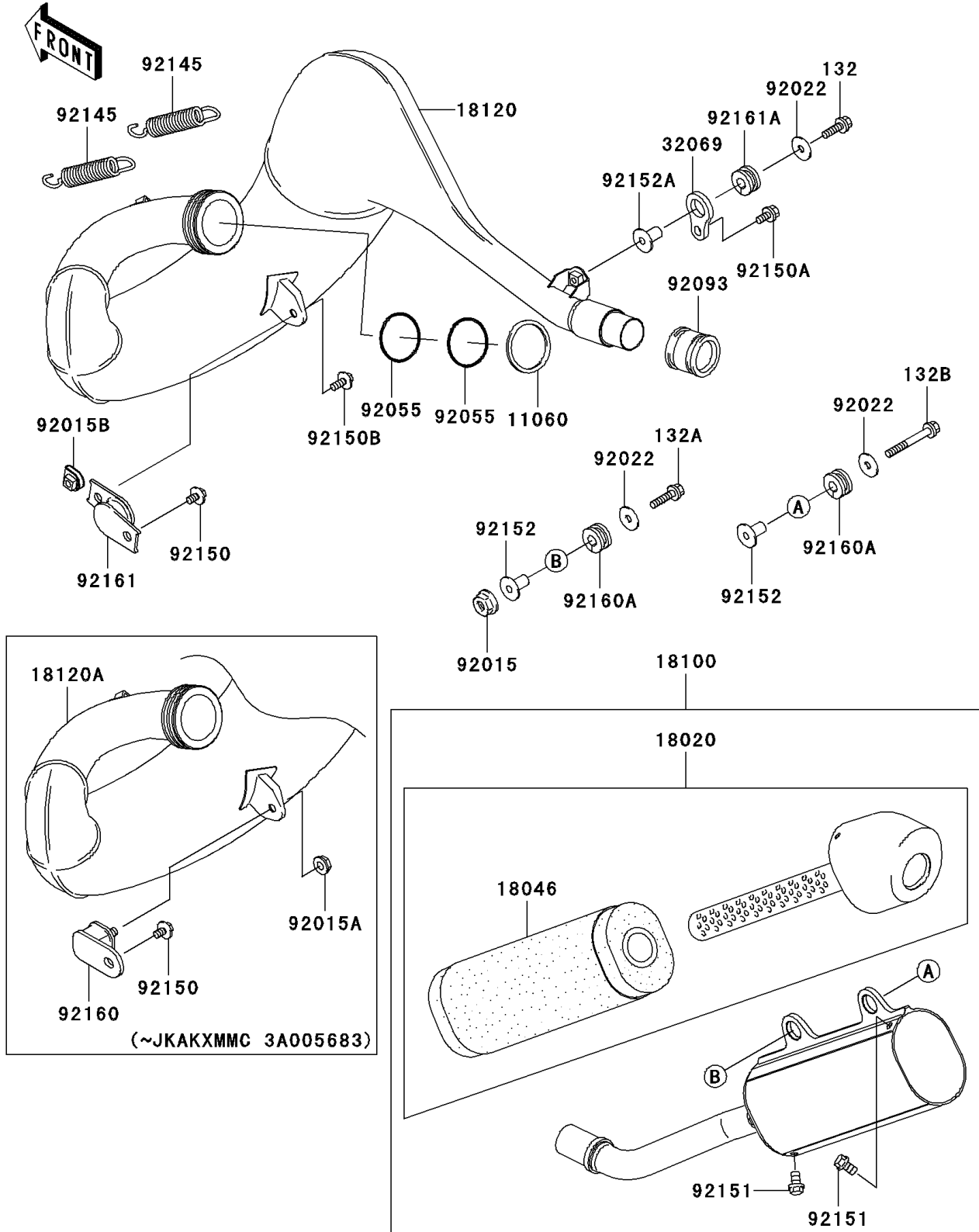


# 2003 KX250 PARTS DIAGRAM

Muffler(s)

E1140



## 2003 KX250 PARTS LIST

### Muffler(s)

ITEM NAME	PART NUMBER	QUANTITY
BOLT-FLANGED-SMALL (Ref # 132)	132G0625	1
BOLT-FLANGED-SMALL (Ref # 132A)	132G0630	1
BOLT-FLANGED-SMALL (Ref # 132B)	132G0650	1
GASKET,EXHAUST PIPE (Ref # 11060)	11060-1689	1
BAFFLE (Ref # 18020)	18020-1294	1
WOOL (Ref # 18046)	18046-1599	1
BODY-ASSY-MUFFLER (Ref # 18100)	18100-1094	1
CHAMBER-EXHAUST (Ref # 18120)	18120-0004	1
CHAMBER-EXHAUST (Ref # 18120A)	18120-1124	1
BRACKET-MUFFLER (Ref # 32069)	32069-1676	1
NUT,FLANGED,6MM (Ref # 92015)	92015-1078	1
NUT,FLANGED,6MM (Ref # 92015A)	92015-1078	1
NUT,CLIP,6MM (Ref # 92015B)	92015-1904	1
WASHER,6.5X22X1.6 (Ref # 92022)	92022-237	3
RING-O,49.4X52.7 (Ref # 92055)	92055-1666	2
SEAL,MUFFLER CONNECTING (Ref # 92093)	92093-1328	1
SPRING,EXHAUST PIPE (Ref # 92145)	92145-1551	2
BOLT,6X12 (Ref # 92150)	92150-1435	1
BOLT,FLANGED,6X16 (Ref # 92150A)	92150-1506	1
BOLT,FLANGED,6X16 (Ref # 92150B)	92150-1506	1
BOLT,6X10 (Ref # 92151)	92151-1822	4
COLLAR (Ref # 92152)	92152-1407	2
COLLAR (Ref # 92152A)	92152-1468	1
DAMPER,MUFFLER,FR (Ref # 92160)	92160-1176	1
DAMPER,MUFFLER FITTING (Ref # 92160A)	92160-1913	2
DAMPER (Ref # 92161)	92161-1290	1
DAMPER (Ref # 92161A)	92161-1331	1