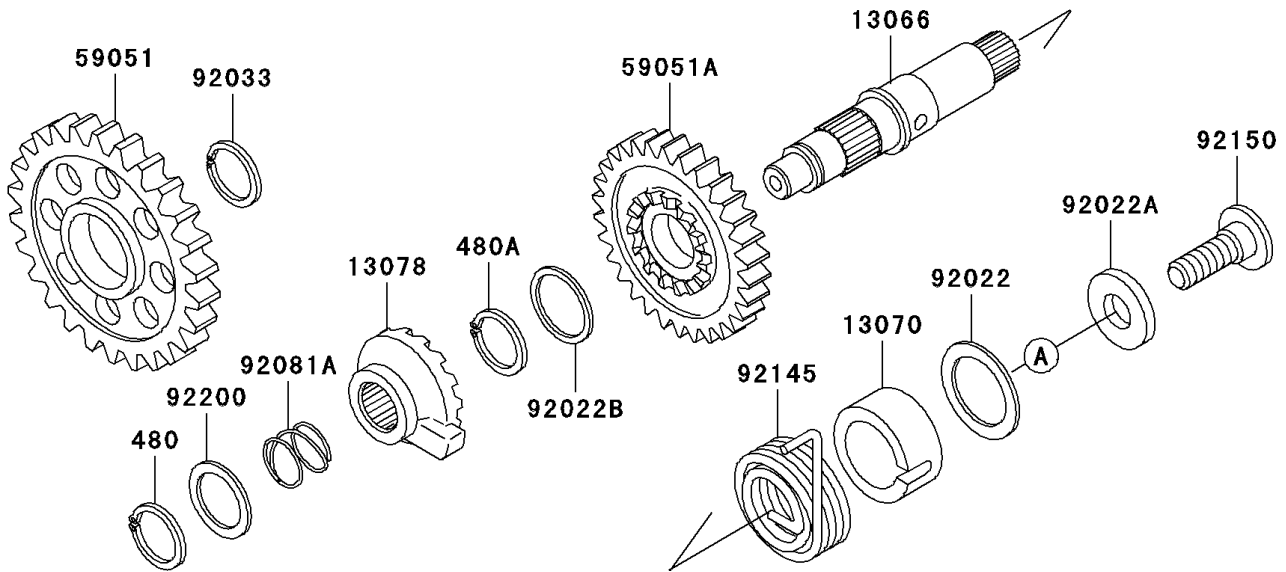
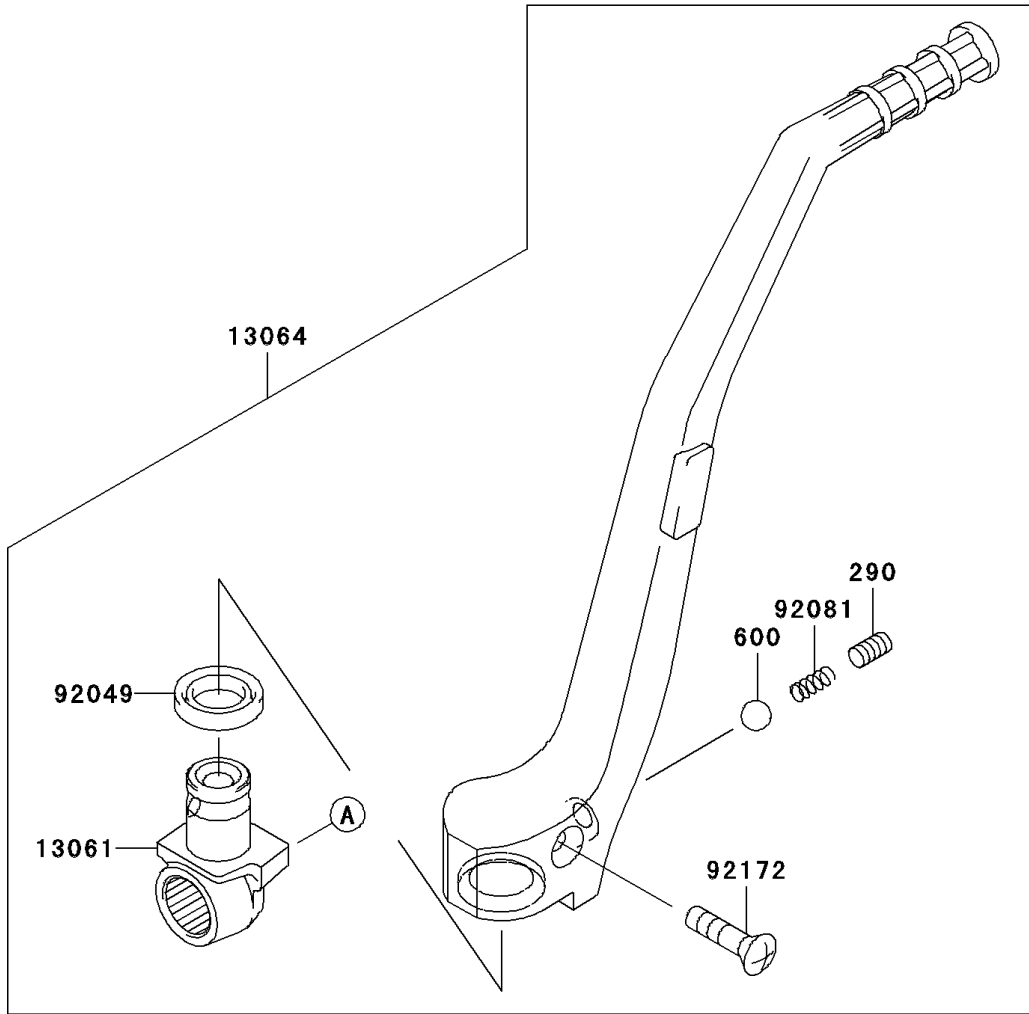


# 2003 KX250 PARTS DIAGRAM

Kickstarter Mechanism

E1340



## 2003 KX250 PARTS LIST

### Kickstarter Mechanism

| ITEM NAME                               | PART NUMBER | QUANTITY |
|---|-------------|----------|
| SCREW-SET-SOCKET (Ref # 290)            | 290P0812    | 1        |
| CIRCLIP-TYPE-C,16MM (Ref # 480)         | 480J1600    | 1        |
| CIRCLIP-TYPE-C,18MM (Ref # 480A)        | 480J1800    | 1        |
| BALL-STEEL,1/4" (Ref # 600)             | 600A0800    | 1        |
| BOSS (Ref # 13061)                      | 13061-0002  | 1        |
| LEVER-ASSY-KICK (Ref # 13064)           | 13064-0002  | 1        |
| SHAFT-KICK (Ref # 13066)                | 13066-1107  | 1        |
| GUIDE,KICK SPRING (Ref # 13070)         | 13070-1378  | 1        |
| RATCHET (Ref # 13078)                   | 13078-1063  | 1        |
| GEAR,KICKSTARTER IDLE,26T (Ref # 59051) | 59051-1271  | 1        |
| GEAR-SPUR,KICK STARTER (Ref # 59051A)   | 59051-1339  | 1        |
| WASHER (Ref # 92022)                    | 92022-1885  | 1        |
| WASHER (Ref # 92022A)                   | 92022-1944  | 1        |
| WASHER,18.3X22X0.5 (Ref # 92022B)       | 92022-271   | 1        |
| RING-SNAP,18MM (Ref # 92033)            | 92033-029   | 1        |
| SEAL-OIL,KICK PEDAL (Ref # 92049)       | 92049-1387  | 1        |
| SPRING,KICK PEDAL (Ref # 92081)         | 92081-020   | 1        |
| SPRING,RATCHET (Ref # 92081A)           | 92081-122   | 1        |
| SPRING,KICKSTARTER (Ref # 92145)        | 92145-1517  | 1        |
| BOLT,8X25 (Ref # 92150)                 | 92150-1858  | 1        |
| SCREW,6X30 (Ref # 92172)                | 92172-1088  | 1        |
| WASHER,KICKSHAFT (Ref # 92200)          | 92200-1209  | 1        |