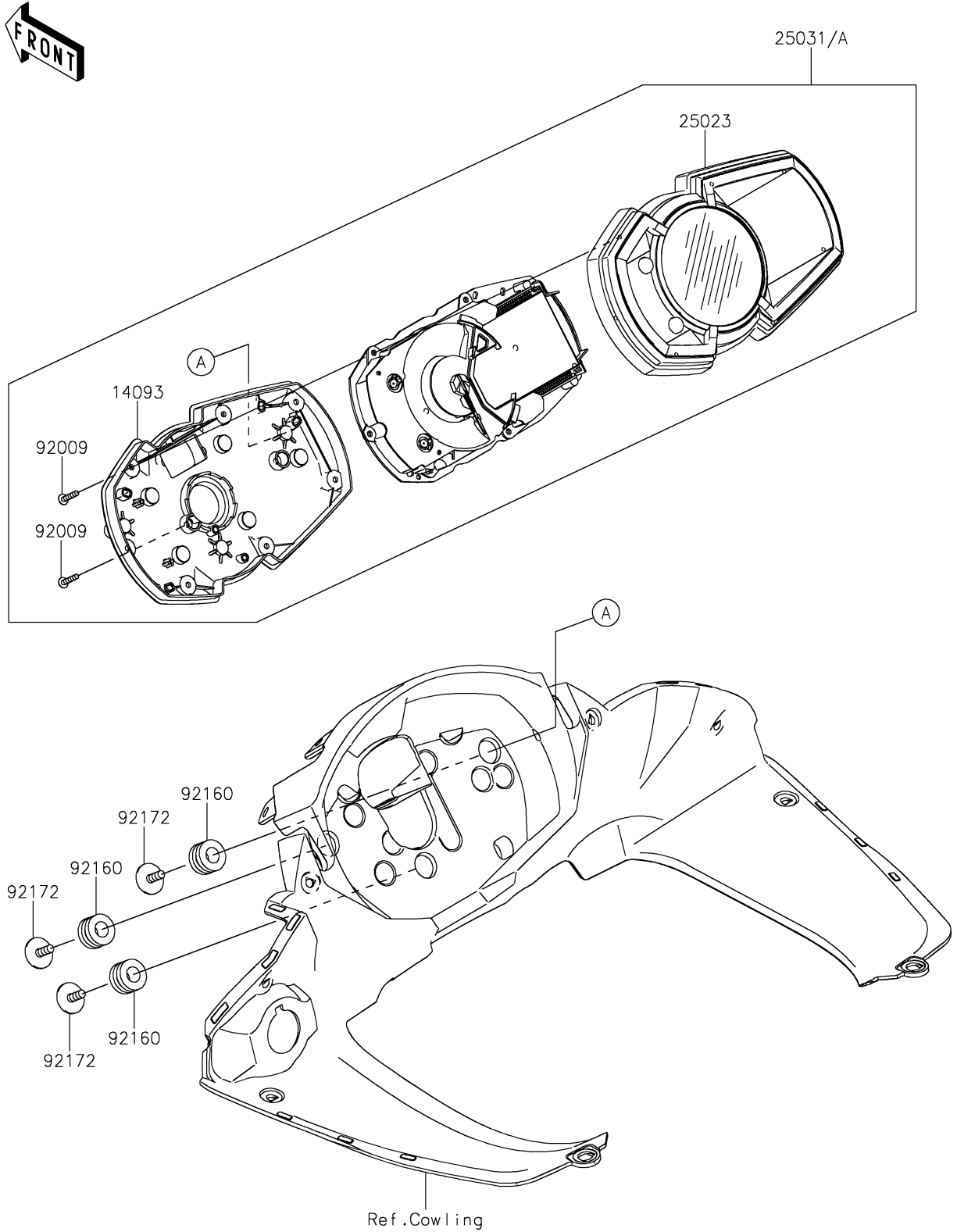


2019 NINJA® 1000 ABS PARTS DIAGRAM

Meter(s)

F2530



2019 NINJA® 1000 ABS PARTS LIST

Meter(s)

ITEM NAME	PART NUMBER	QUANTITY
COVER,METER,LWR (Ref # 14093)	14093-0513	1
COVER-METER CASE (Ref # 25023)	25023-0127	1
METER-ASSY,COMBINATION (Ref # 25031A)	25031-0836	1
SCREW,TAPPING,3X16 (Ref # 92009)	92009-1391	9
DAMPER,10X20X12 (Ref # 92160)	92160-1167	3
SCREW,TAPPING,WP,5X14 (Ref # 92172)	92172-0441	3