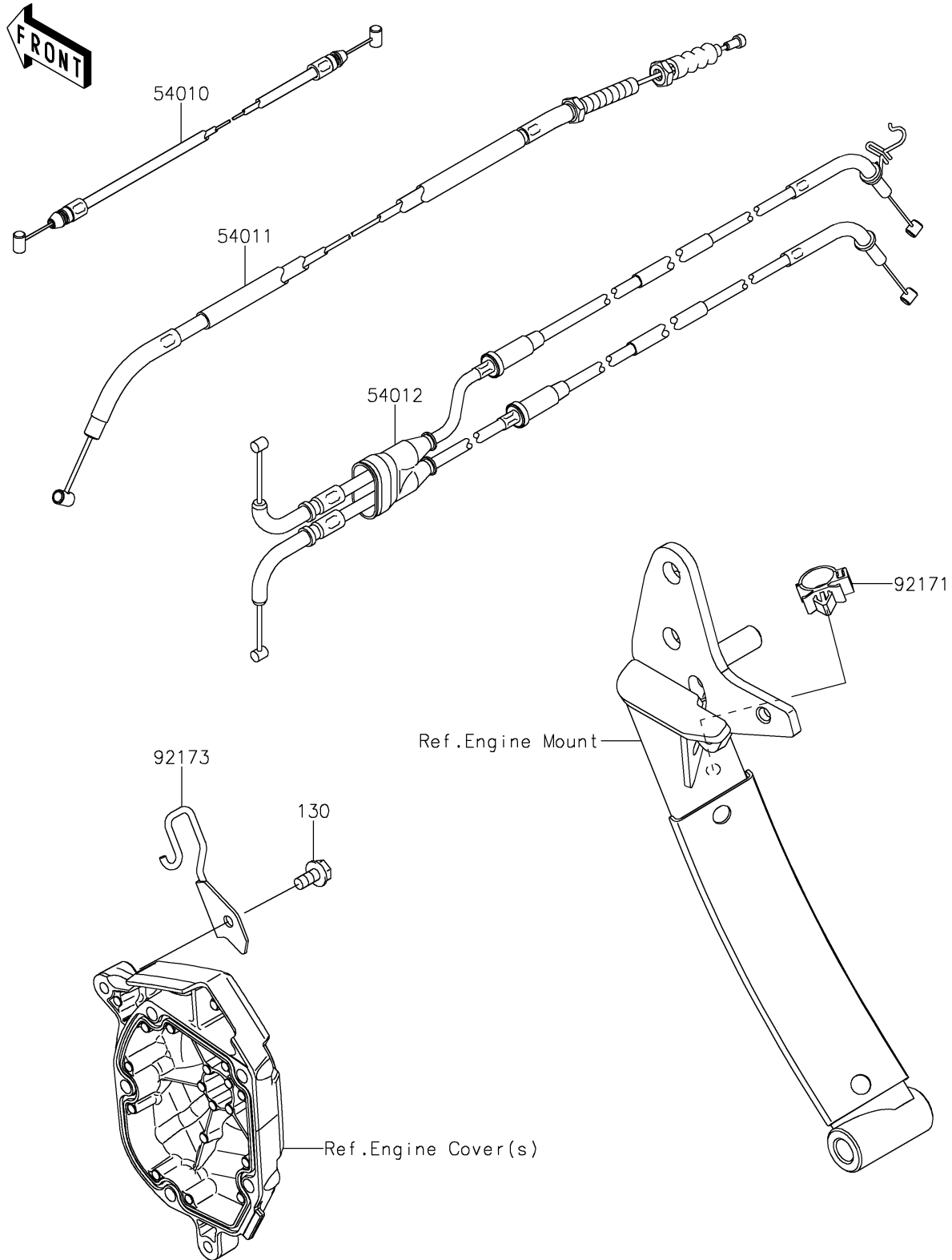


2019 NINJA® 1000 ABS PARTS DIAGRAM

Cables

F2540



2019 NINJA® 1000 ABS PARTS LIST

Cables

| ITEM NAME | PART NUMBER | QUANTITY |
|----------------------------------|-------------|----------|
| BOLT-FLANGED,6X12 (Ref # 130) | 130BB0612 | 1 |
| CABLE,SEAT LOCK (Ref # 54010) | 54010-0135 | 1 |
| CABLE-CLUTCH (Ref # 54011) | 54011-0621 | 1 |
| CABLE-THROTTLE (Ref # 54012) | 54012-0649 | 1 |
| CLAMP (Ref # 92171) | 92171-0782 | 1 |
| CLAMP,CLUTCH COVER (Ref # 92173) | 92173-0737 | 1 |