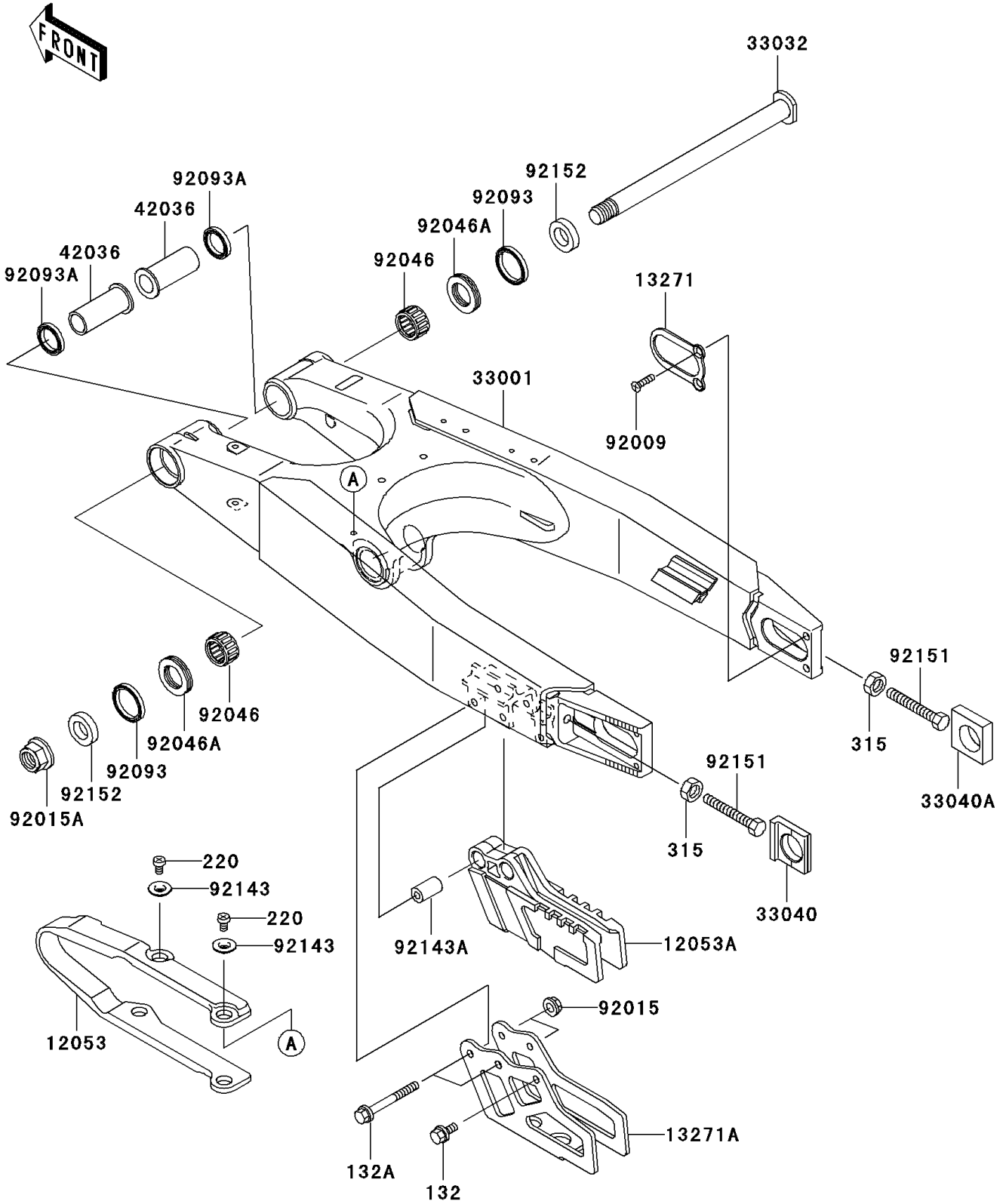


2003 KX250 PARTS DIAGRAM

Swingarm

F2141



2003 KX250 PARTS LIST

Swingarm

| ITEM NAME | PART NUMBER | QUANTITY |
|--|---------------|----------|
| BOLT-FLANGED-SMALL (Ref # 132) | 132G0612 | 1 |
| BOLT-FLANGED-SMALL (Ref # 132A) | 132G0650 | 2 |
| SCREW-PAN-CROS,5X8 (Ref # 220) | 220B0508 | 4 |
| NUT-HEX-FINE,10MM (Ref # 315) | 315G1000 | 2 |
| GUIDE-CHAIN,DRIVE,FR (Ref # 12053) | 12053-1422 | 1 |
| GUIDE-CHAIN (Ref # 12053A) | 12053-1468 | 1 |
| PLATE,AXLE (Ref # 13271) | 13271-1833 | 2 |
| PLATE,CHAIN GUIDE (Ref # 13271A) | 13271-1834 | 1 |
| ARM-COMP-SWING,SILVER (Ref # 33001) | 33001-1629-CE | 1 |
| SHAFT-SWING ARM (Ref # 33032) | 33032-1189 | 1 |
| ADJUSTER-CHAIN,LH (Ref # 33040) | 33040-1189 | 1 |
| ADJUSTER-CHAIN,RH (Ref # 33040A) | 33040-1190 | 1 |
| SLEEVE,SWING ARM,L=54 (Ref # 42036) | 42036-1326 | 2 |
| SCREW,5X10 (Ref # 92009) | 92009-1828 | 4 |
| NUT,FLANGED,6MM (Ref # 92015) | 92015-1078 | 2 |
| NUT,FLANGED,16MM (Ref # 92015A) | 92015-1316 | 1 |
| BEARING-NEEDLE,TA2230Z (Ref # 92046) | 92046-1174 | 2 |
| BEARING-NEEDLE,NTBR22356E01 (Ref # 92046A) | 92046-1240 | 2 |
| SEAL,SDO29X35X4.5 (Ref # 92093) | 92093-1434 | 2 |
| SEAL,SDO22X29X5 (Ref # 92093A) | 92093-1435 | 2 |
| COLLAR (Ref # 92143) | 92143-1676 | 4 |
| COLLAR,6.5X14X24 (Ref # 92143A) | 92143-1867 | 2 |
| BOLT,10X55 (Ref # 92151) | 92151-1397 | 2 |
| COLLAR,17.1X29X7.5 (Ref # 92152) | 92152-1137 | 2 |