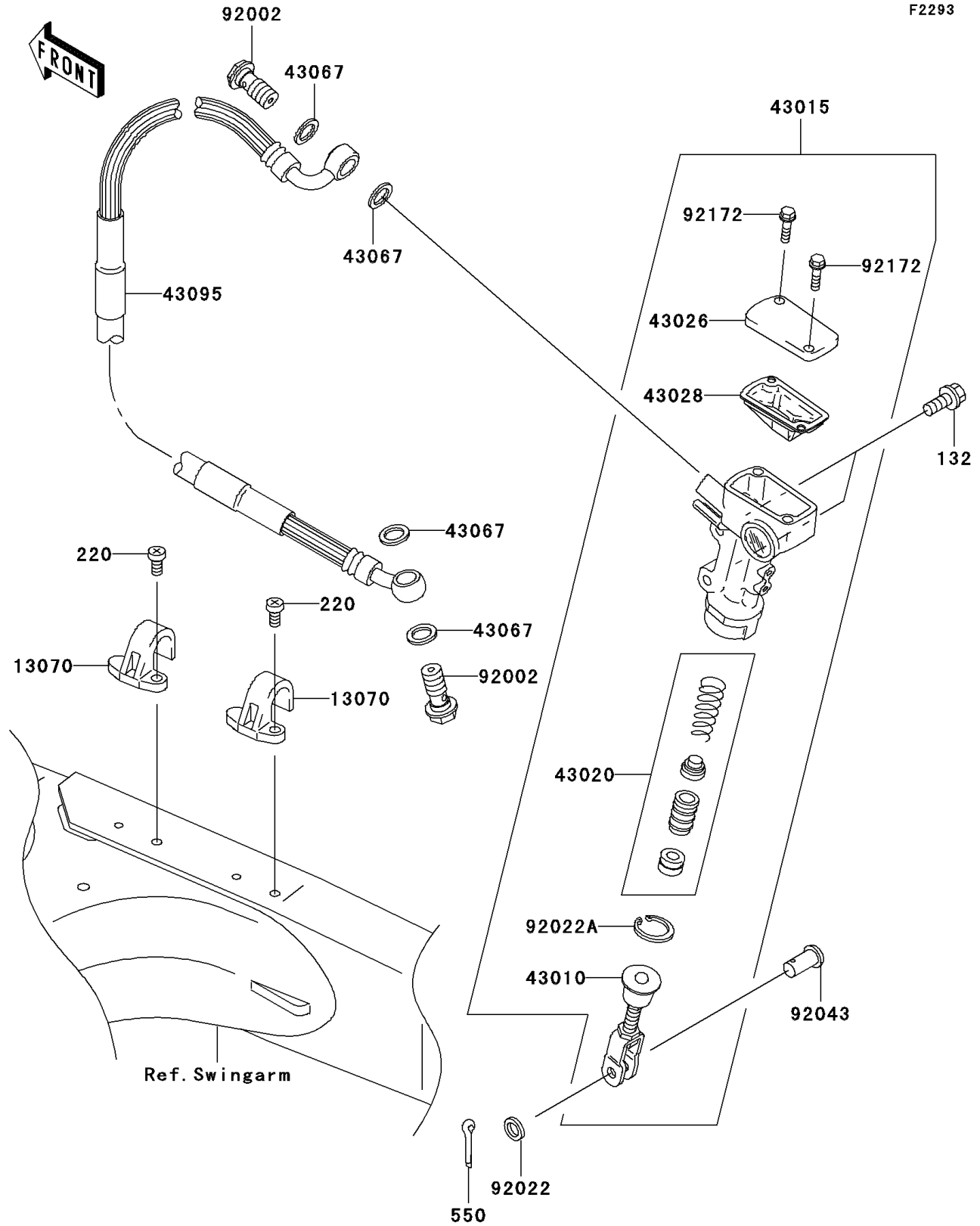


2003 KX250 PARTS DIAGRAM

Rear Master Cylinder

F2293



2003 KX250 PARTS LIST

Rear Master Cylinder

ITEM NAME	PART NUMBER	QUANTITY
BOLT-FLANGED-SMALL (Ref # 132)	132G0614	2
SCREW-PAN-CROS (Ref # 220)	220B0510	2
PIN-COTTER,2.0X15 (Ref # 550)	550D2015	1
GUIDE,BRAKE HOSE (Ref # 13070)	13070-1388	2
ROD-ASSY-BRAKE (Ref # 43010)	43010-1088	1
CYLINDER-ASSY-MASTER,RR (Ref # 43015)	43015-1698	1
PISTON-COMP-BRAKE (Ref # 43020)	43020-1094	1
CAP-BRAKE (Ref # 43026)	43026-1086	1
DIAPHRAGM (Ref # 43028)	43028-1092	1
WASHER,10.5X15X1.5 (Ref # 43067)	43067-001	4
HOSE-BRAKE,RR (Ref # 43095)	43095-1269	1
BOLT,OIL,L=23 (Ref # 92002)	92002-1888	2
WASHER,8.5X13X1 (Ref # 92022)	92022-1028	1
WASHER,CIRCRIP (Ref # 92022A)	92022-1601	1
PIN (Ref # 92043)	92043-0004	1
SCREW (Ref # 92172)	92172-1064	2