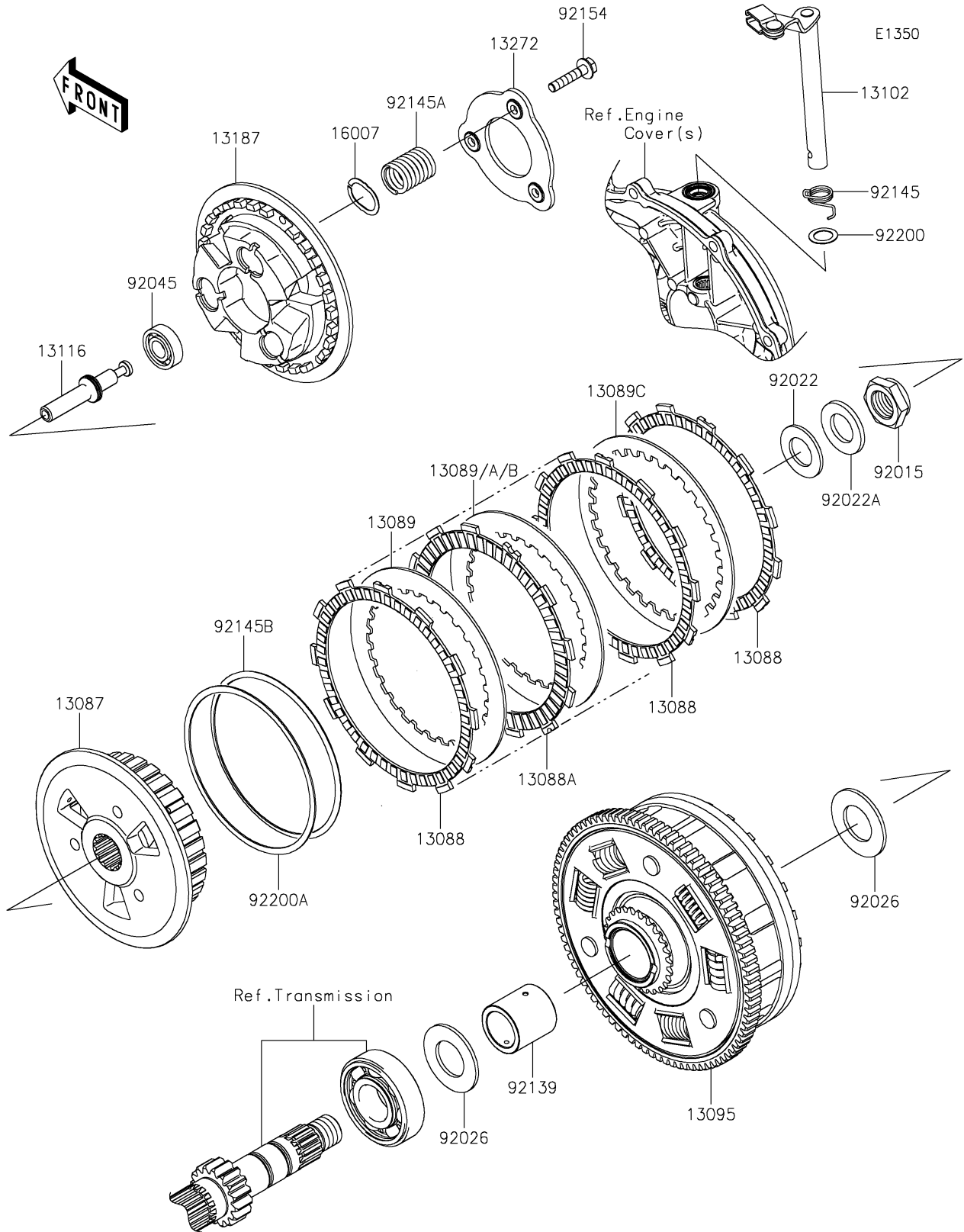


# 2021 NINJA® 650 ABS PARTS DIAGRAM

## Clutch



# 2021 NINJA® 650 ABS PARTS LIST

Clutch

ITEM NAME	PART NUMBER	QUANTITY
-----------	-------------	----------