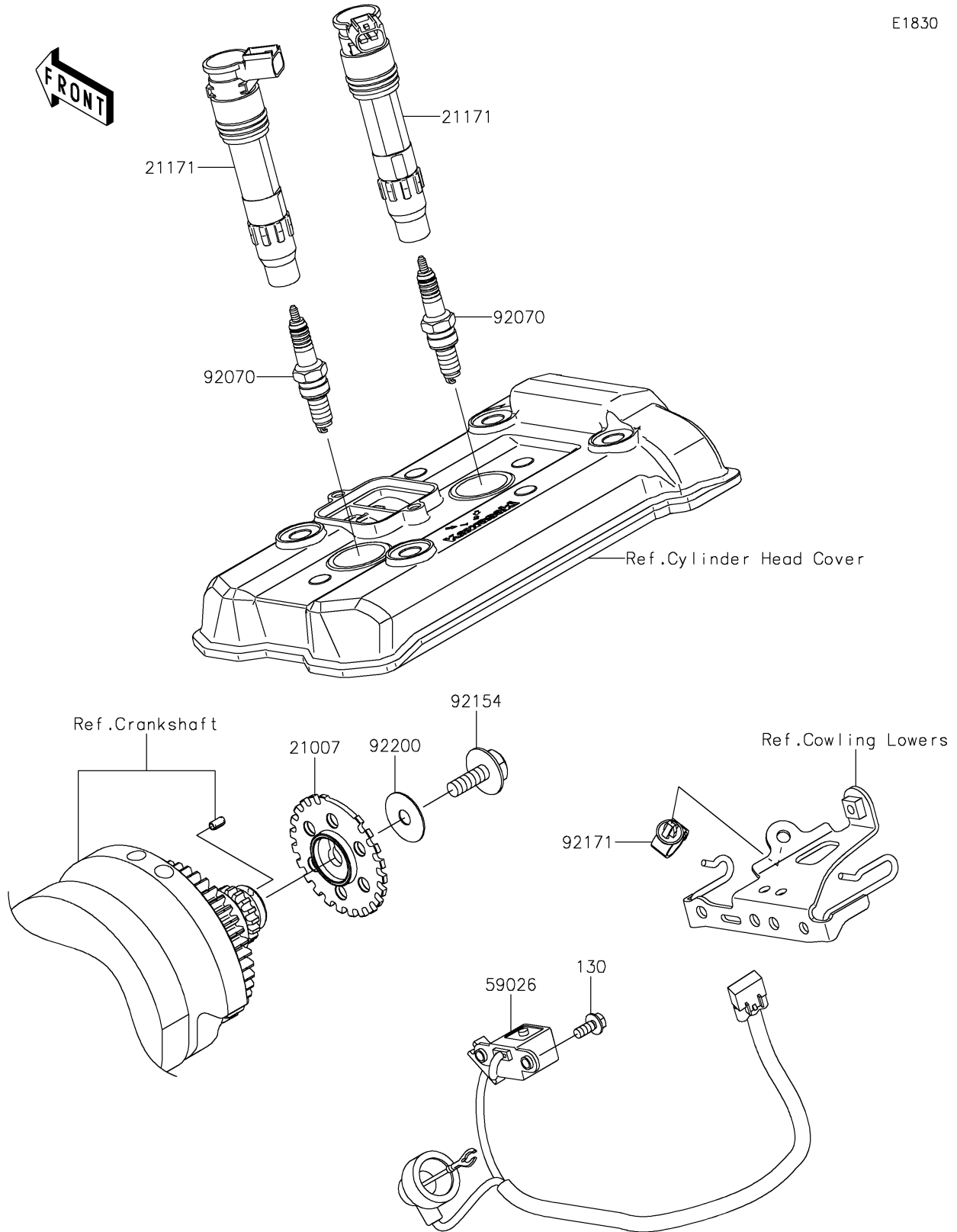


2021 NINJA® 650 ABS PARTS DIAGRAM

Ignition System

E1830



2021 NINJA® 650 ABS PARTS LIST

Ignition System

| ITEM NAME | PART NUMBER | QUANTITY |
|--------------------------------------|-------------|----------|
| BOLT-FLANGED,5X12 (Ref # 130) | 130BA0512 | 2 |
| ROTOR,PULSING (Ref # 21007) | 21007-0053 | 1 |
| COIL-ASSY-IGNITION (Ref # 21171) | 21171-0033 | 2 |
| COIL-PULSING (Ref # 59026) | 59026-0045 | 1 |
| PLUG-SPARK,CR9EIA(NGK) (Ref # 92070) | 92070-0014 | 2 |
| BOLT,FLANGED,8X23 (Ref # 92154) | 92154-0187 | 1 |
| CLAMP,13MM DIA. (Ref # 92171) | 92171-1415 | 1 |
| WASHER,8.5X28X0.8 (Ref # 92200) | 92200-0274 | 1 |