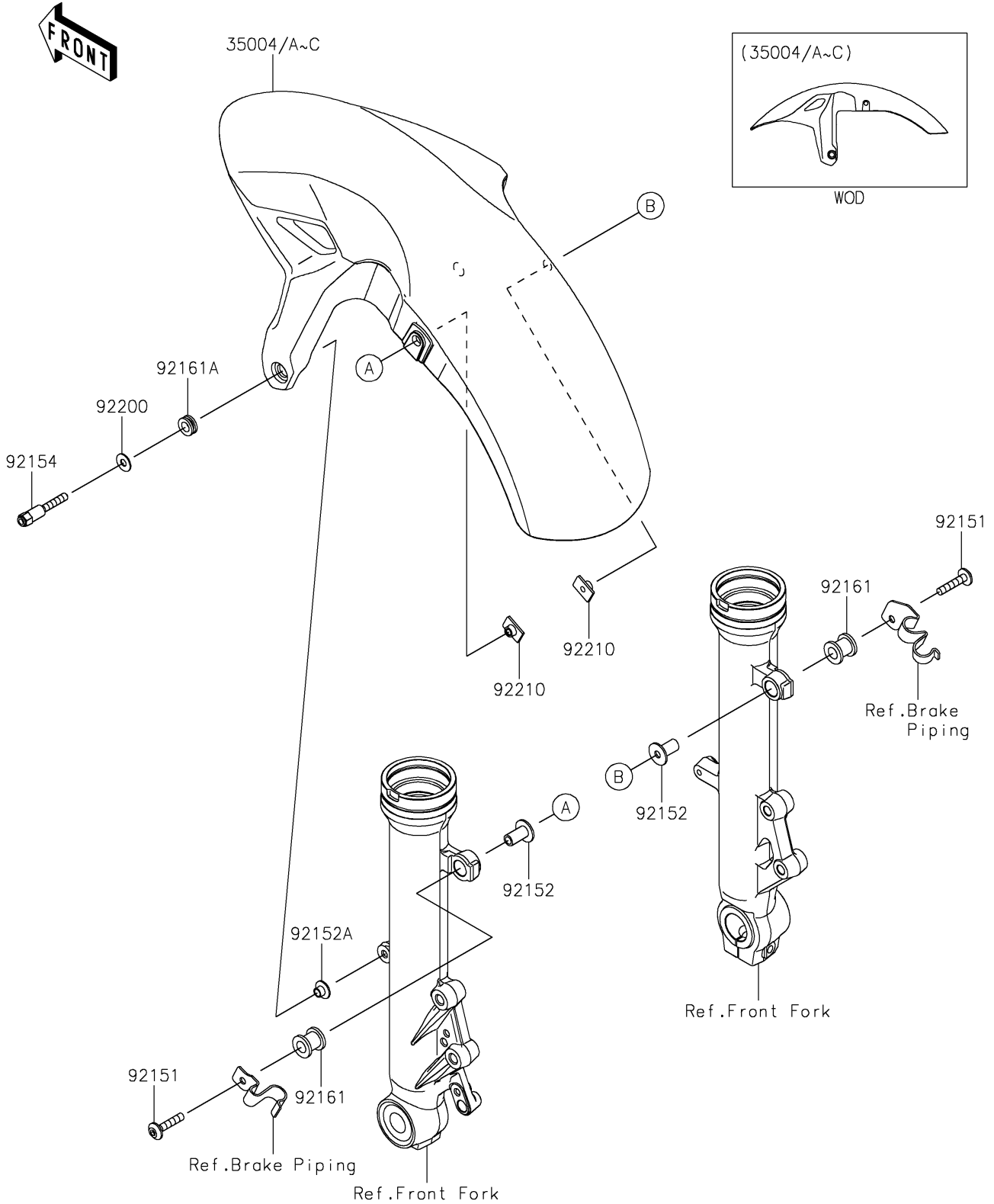


2021 NINJA® 650 ABS PARTS DIAGRAM

Front Fender(s)

F2171



2021 NINJA® 650 ABS PARTS LIST

Front Fender(s)

ITEM NAME	PART NUMBER	QUANTITY
FENDER-FRONT,M.I.RED (Ref # 35004)	35004-0358-35D	1
FENDER-FRONT,M.G.GRAY (Ref # 35004A)	35004-0358-45W	1
FENDER-FRONT,P.N.TEAL (Ref # 35004B)	35004-0358-68D	1
FENDER-FRONT,L.GREEN (Ref # 35004C)	35004-0358-777	1
BOLT,SOCKET,6X30 (Ref # 92151)	92151-1605	2
COLLAR,6.5X10X20.5 (Ref # 92152)	92152-1570	2
COLLAR,6.3X8.3X7.2 (Ref # 92152A)	92152-1602	2
BOLT (Ref # 92154)	92154-0324	2
DAMPER,10X20X18.9 (Ref # 92161)	92161-1406	2
DAMPER,8.3X16X6.4 (Ref # 92161A)	92161-1848	2
WASHER,6.5X16X1.0 (Ref # 92200)	92200-0796	2
NUT,PLATE,6MM (Ref # 92210)	92210-1352	2