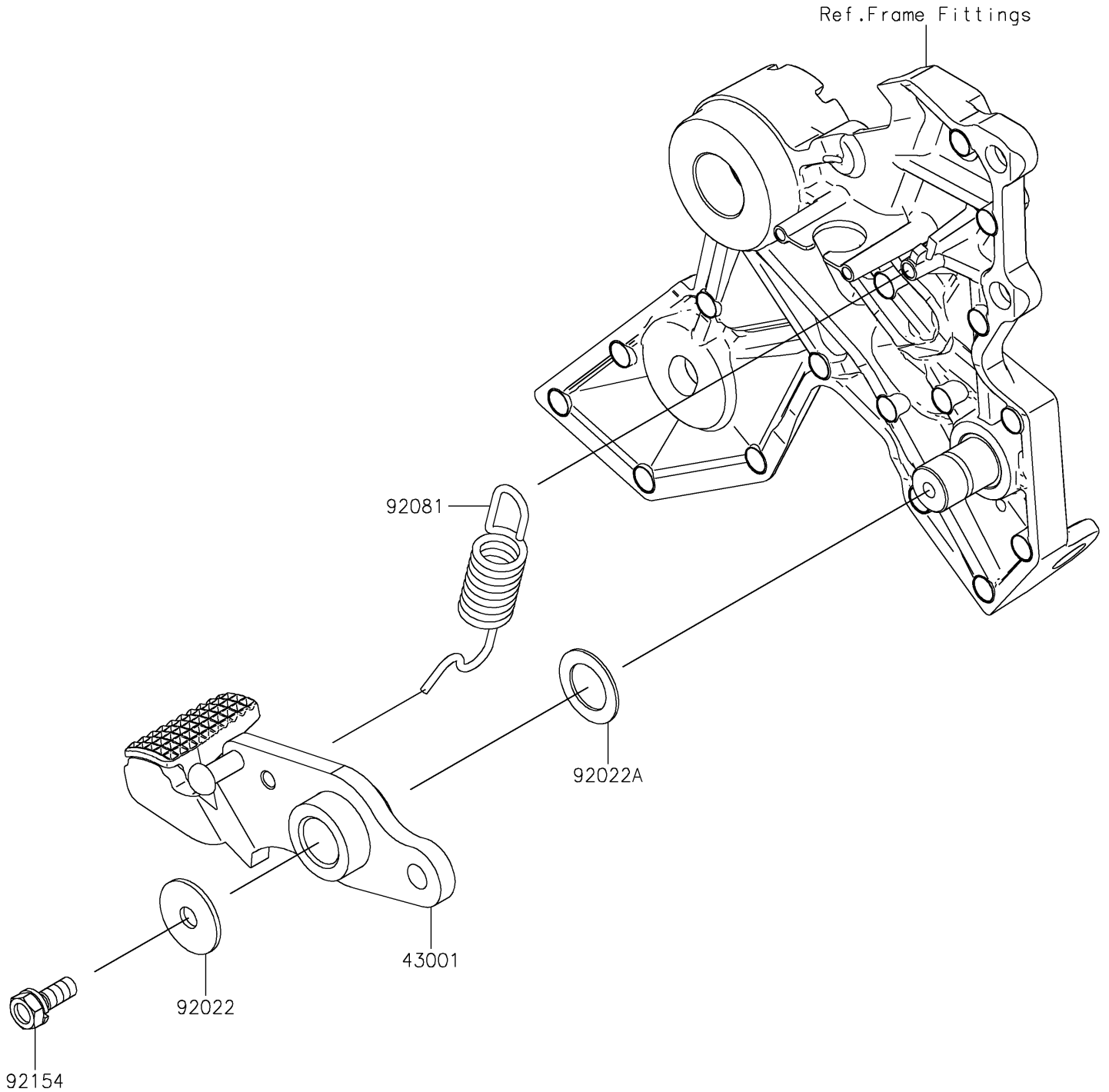


# 2021 NINJA® 650 ABS PARTS DIAGRAM

Brake Pedal/Torque Link

F2260



## 2021 NINJA® 650 ABS PARTS LIST

### Brake Pedal/Torque Link

| ITEM NAME                        | PART NUMBER | QUANTITY |
|----------------------------------|-------------|----------|
| LEVER-BRAKE,PEDAL (Ref # 43001)  | 43001-0748  | 1        |
| WASHER,7X24X1.6 (Ref # 92022)    | 92022-228   | 1        |
| WASHER,15.3X24X1 (Ref # 92022A)  | 92022-326   | 1        |
| SPRING,BRAKE PEDAL (Ref # 92081) | 92081-1833  | 1        |
| BOLT,UPSET-WS,6X16 (Ref # 92154) | 92154-0935  | 1        |