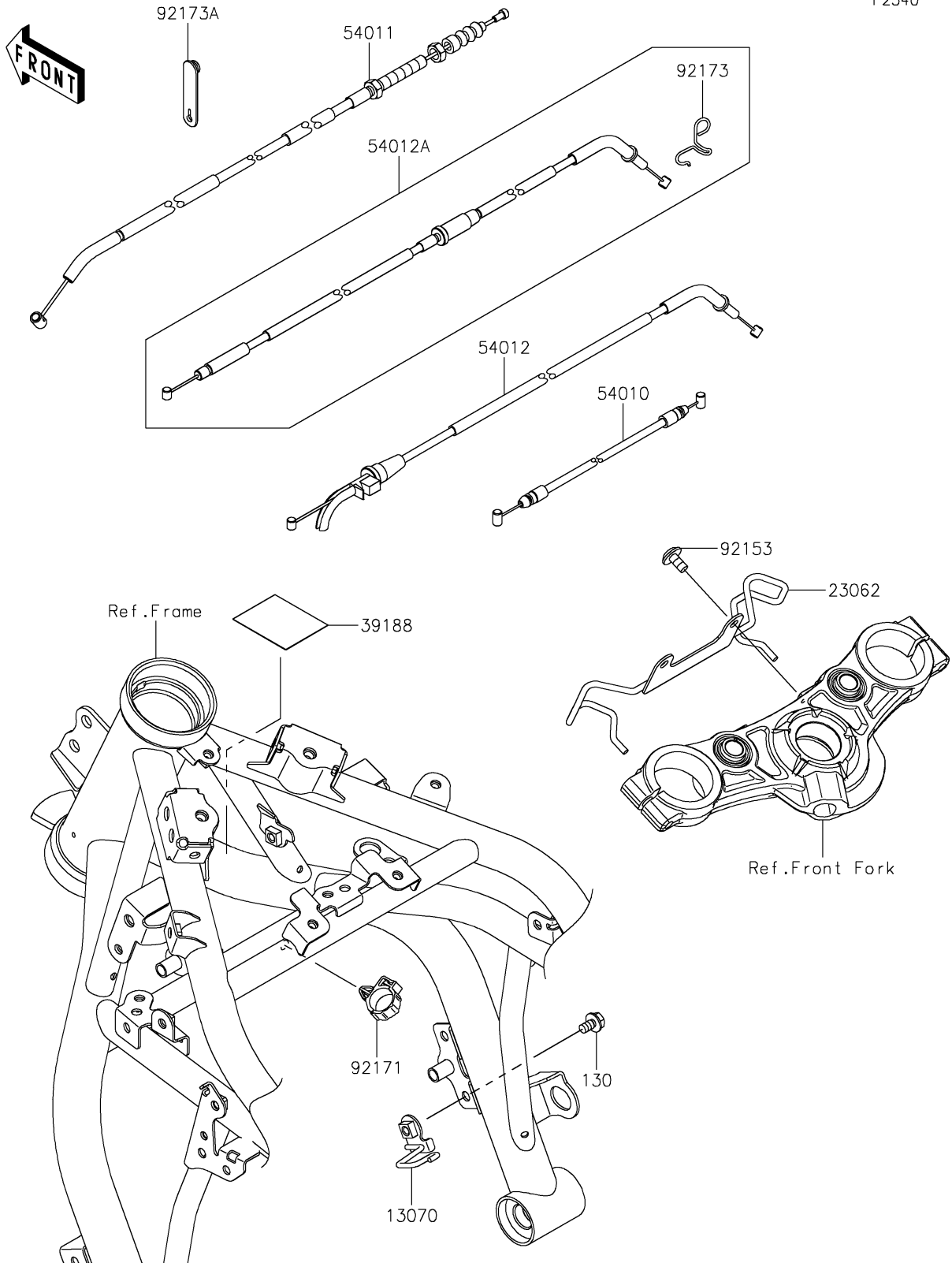


# 2021 NINJA® 650 PARTS DIAGRAM

## Cables

F2540



# 2021 NINJA® 650 PARTS LIST

Cables

ITEM NAME	PART NUMBER	QUANTITY
-----------	-------------	----------