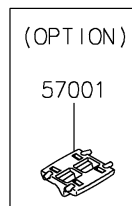
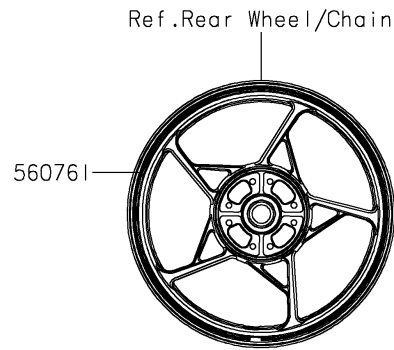
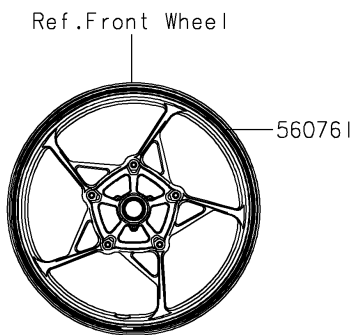
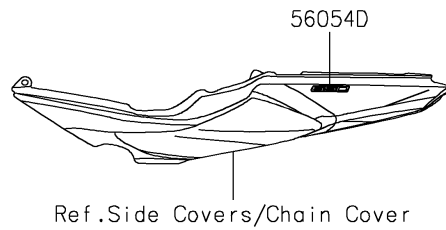
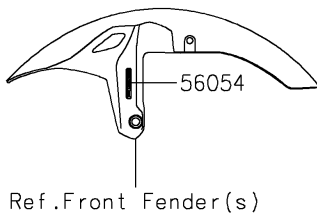
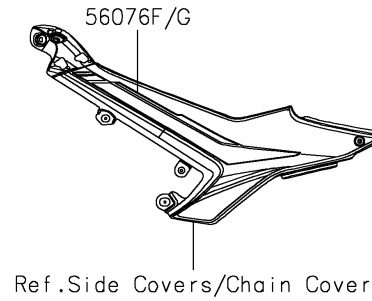
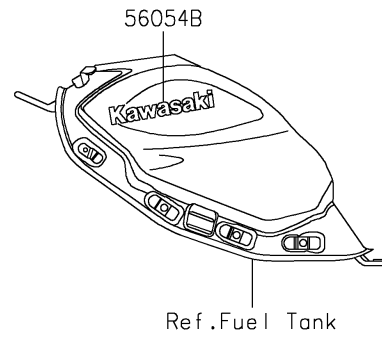
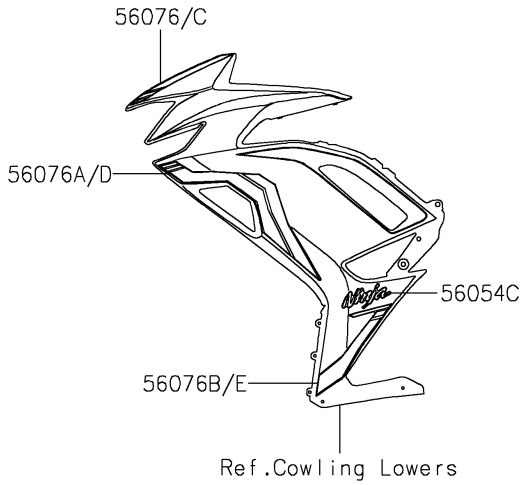
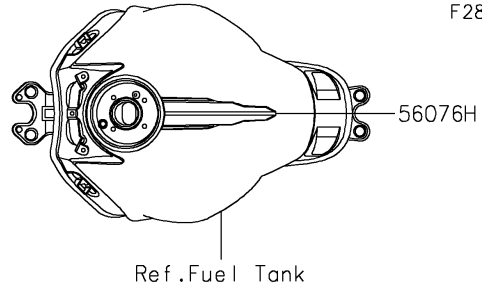
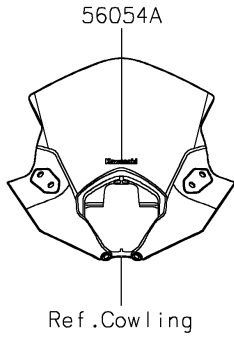


2021 NINJA® 650 ABS PARTS DIAGRAM

Decals(Red)(MMFAN/MMFAL)

F2861B



2021 NINJA® 650 ABS PARTS LIST

Decals(Red)(MMFAN/MMFAL)

ITEM NAME	PART NUMBER	QUANTITY
-----------	-------------	----------