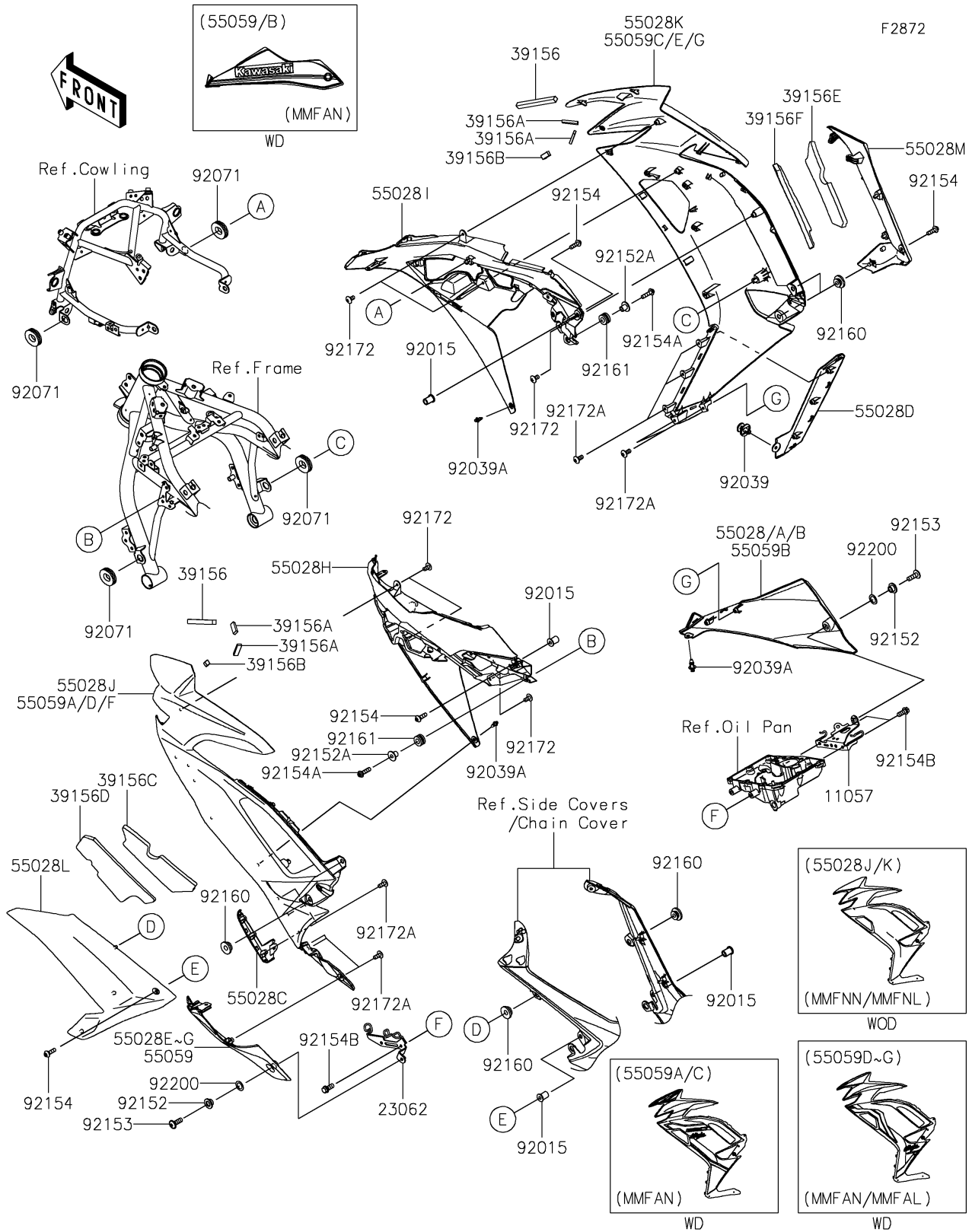


# 2021 NINJA® 650 PARTS DIAGRAM

## Cowling Lower



# 2021 NINJA® 650 PARTS LIST

Cowling Lowers

ITEM NAME	PART NUMBER	QUANTITY
-----------	-------------	----------