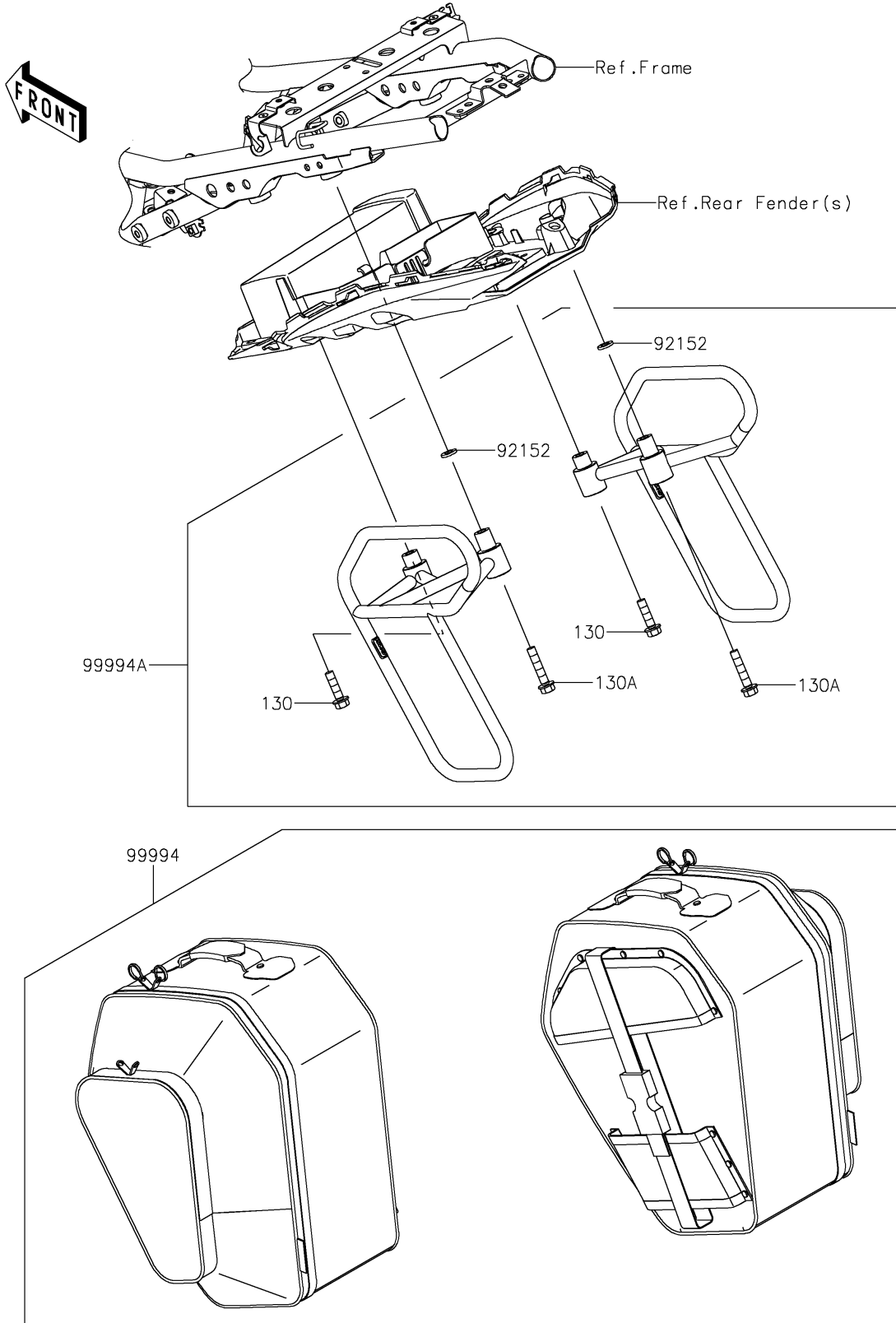


2021 NINJA® 650 ABS PARTS DIAGRAM

Accessory(Pannier)

F2910F



2021 NINJA® 650 ABS PARTS LIST

Accessory(Pannier)

| ITEM NAME | PART NUMBER | QUANTITY |
|--|-------------|----------|
| BOLT-FLANGED,8X30 (Ref # 130) | 130BA0830 | 2 |
| BOLT-FLANGED,8X40 (Ref # 130A) | 130BA0840 | 2 |
| COLLAR,8.5X16X2.3 (Ref # 92152) | 92152-2320 | 2 |
| KIT-ACC,PANNIER(SOFT-LUGGAGE) (Ref # 99994) | 99994-0801 | 1 |
| KIT-ACCESSORY,PANNIER BRACKET (Ref # 99994A) | 99994-0802 | 1 |