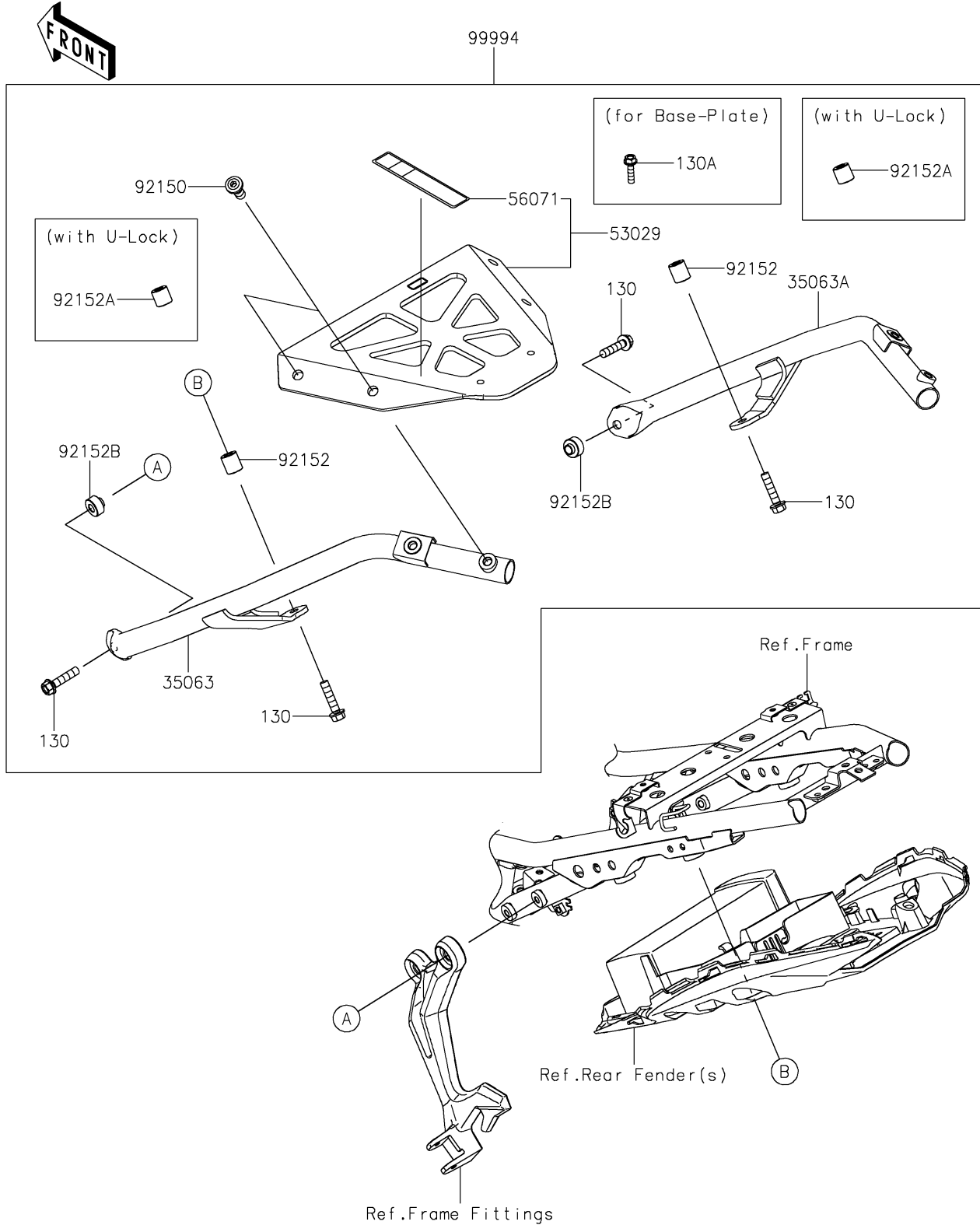


# 2021 NINJA® 650 ABS PARTS DIAGRAM

Accessory(Topcase Bracket)

F2910G



# 2021 NINJA® 650 ABS PARTS LIST

Accessory(Topcase Bracket)

ITEM NAME	PART NUMBER	QUANTITY
-----------	-------------	----------