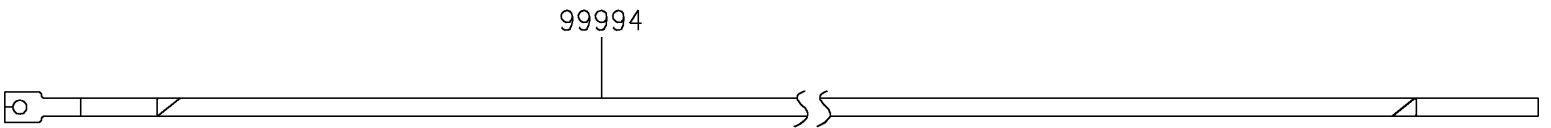
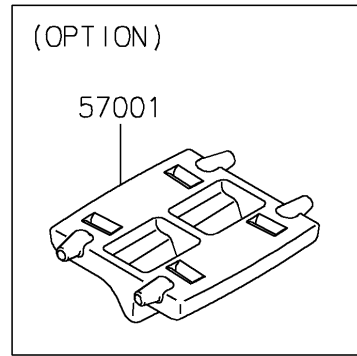


# 2021 NINJA® 650 ABS PARTS DIAGRAM

Accessory(Decals)

F2910L



# 2021 NINJA® 650 ABS PARTS LIST

Accessory(Decals)

ITEM NAME	PART NUMBER	QUANTITY
-----------	-------------	----------