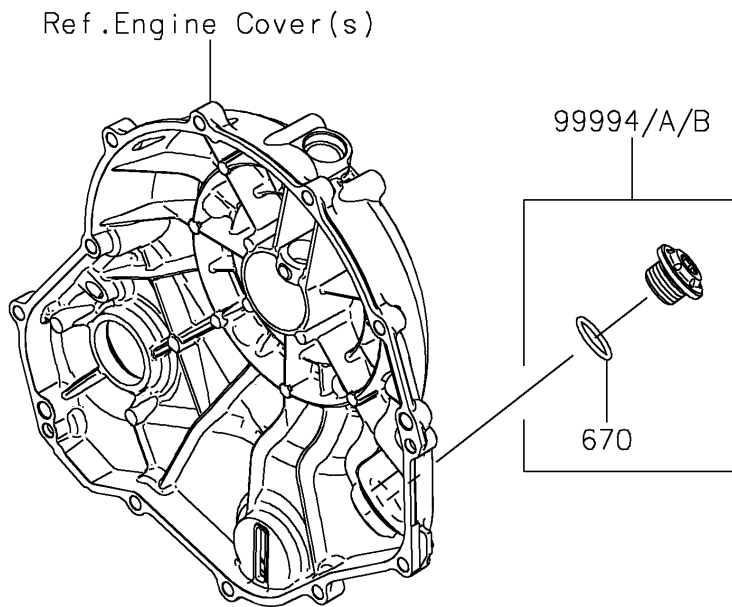


2021 VULCAN[®] S ABS PARTS DIAGRAM

Accessory(Oil Filler Cap)

F2910P



2021 VULCAN® S ABS PARTS LIST

Accessory(Oil Filler Cap)

ITEM NAME	PART NUMBER	QUANTITY
O RING,20MM (Ref # 670)	670B2020	1
KIT-ACC,OIL FILLER CAP,WHITE (Ref # 99994)	99994-1018	1
KIT-ACC,OIL FILLER CAP,BLACK (Ref # 99994A)	99994-1229	1
KIT-ACC,OIL FILLER CAP,GOLD (Ref # 99994B)	99994-1245	1