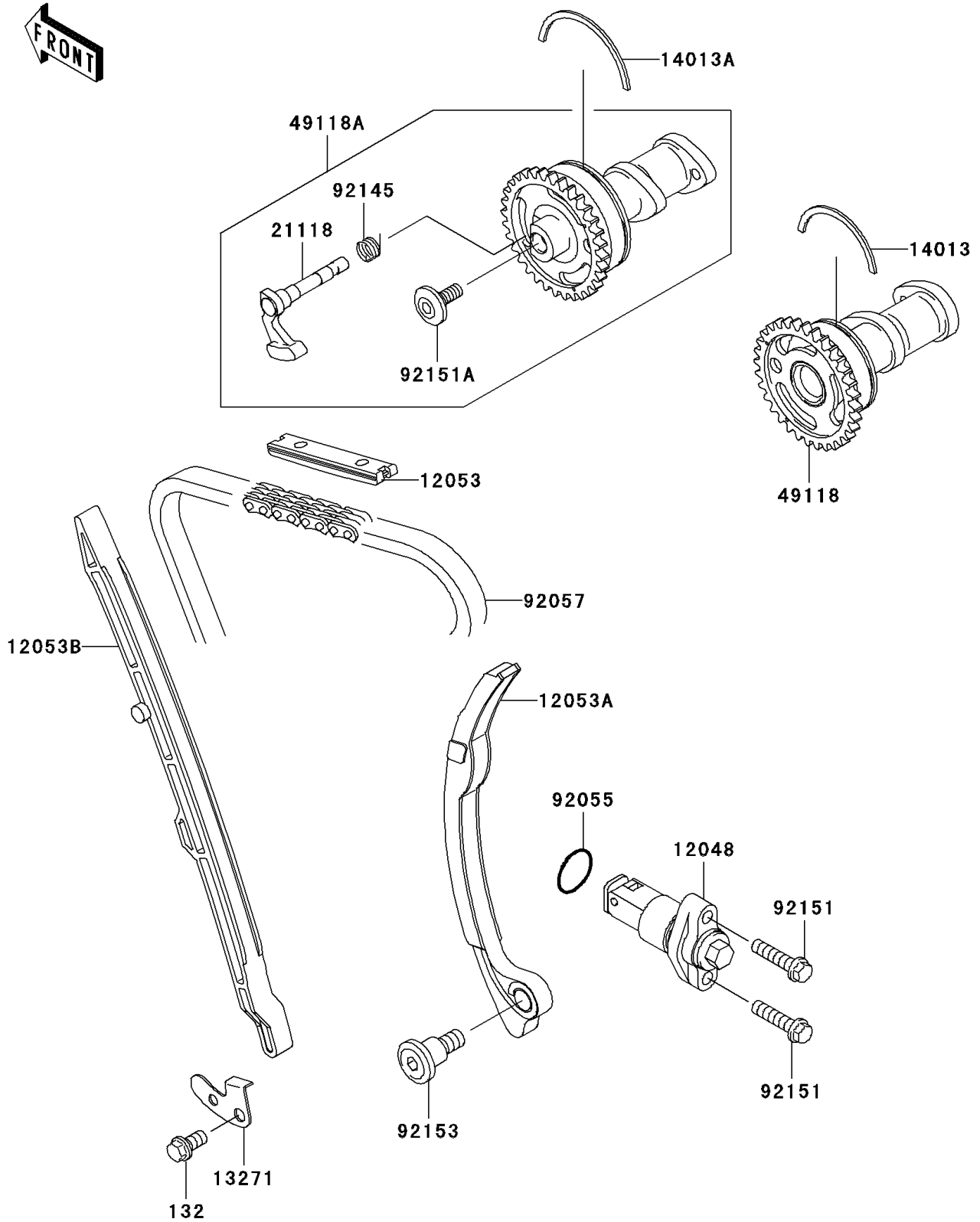


2004 KX250F PARTS DIAGRAM

Camshaft(s)/Tensioner

E1230



2004 KX250F PARTS LIST

Camshaft(s)/Tensioner

ITEM NAME	PART NUMBER	QUANTITY
BOLT-FLANGED-SMALL (Ref # 132)	132G0612	1
TENSIONER-ASSY (Ref # 12048)	12048-1181	1
GUIDE-CHAIN,UPP (Ref # 12053)	12053-0009	1
GUIDE-CHAIN,RR (Ref # 12053A)	12053-0010	1
GUIDE-CHAIN,FR (Ref # 12053B)	12053-0017	1
PLATE,CAM CHAIN STOPPER (Ref # 13271)	13271-0169	1
RING-POSITION (Ref # 14013)	14013-0001	1
RING-POSITION (Ref # 14013A)	14013-0002	1
DECOMPRESSOR (Ref # 21118)	21118-0001	1
CAMSHAFT-COMP,INTAKE (Ref # 49118)	49118-0013	1
CAMSHAFT-COMP,EXHAUST (Ref # 49118A)	49118-0022	1
RING-O (Ref # 92055)	92055-086	1
CHAIN,CAM,92RH2010-114 (Ref # 92057)	92057-0030	1
SPRING,DECOMP (Ref # 92145)	92145-0050	1
BOLT,6X25 (Ref # 92151)	92151-1130	2
BOLT,6MM (Ref # 92151A)	92151-1248	1
BOLT,12X24.5 (Ref # 92153)	92153-0572	1