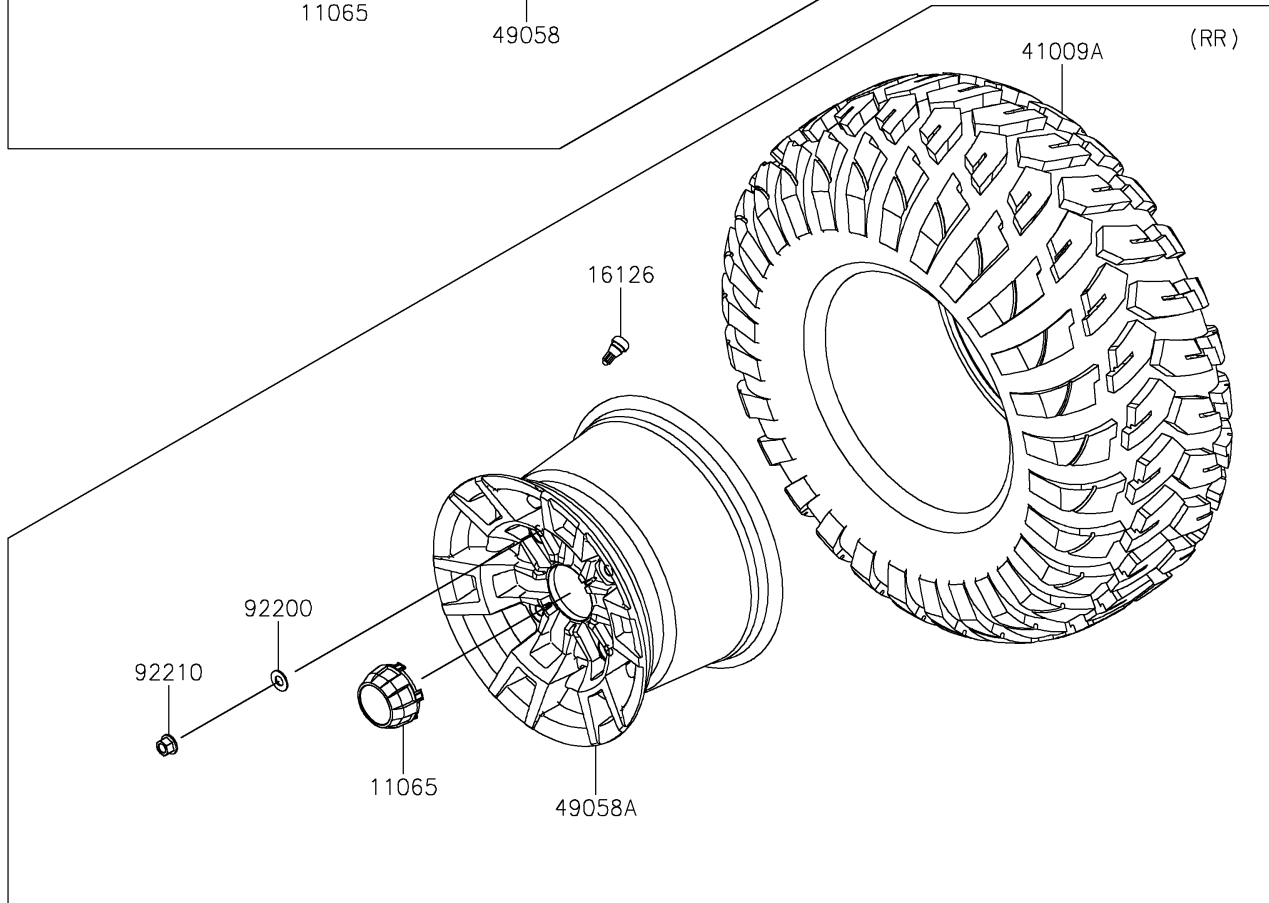
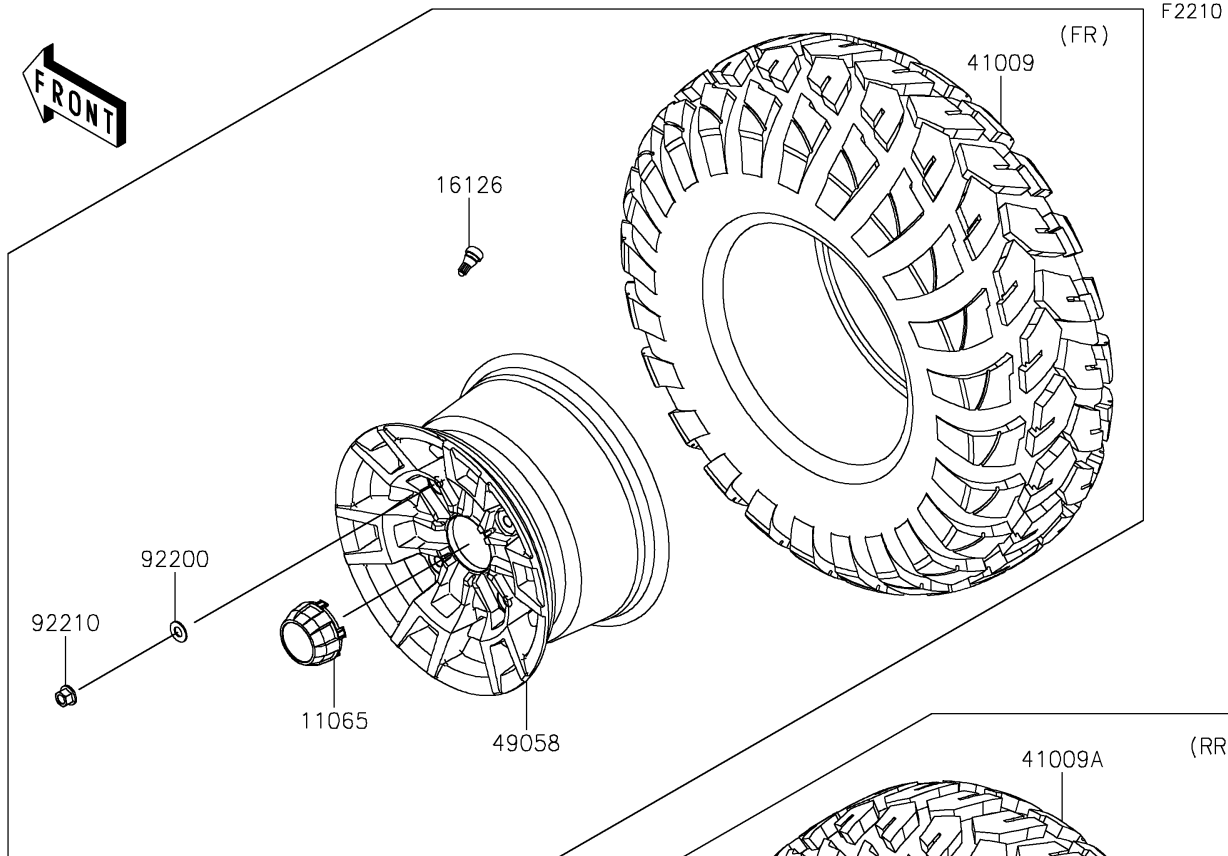


# 2021 MULE PRO-FXT™ EPS LE PARTS DIAGRAM

Wheels/Tires



## 2021 MULE PRO-FXT™ EPS LE PARTS LIST

### Wheels/Tires

ITEM NAME	PART NUMBER	QUANTITY
CAP,WHEEL,F.BLACK (Ref # 11065)	11065-0893-6Z	4
VALVE (Ref # 16126)	16126-4001	4
TIRE,FR,26X9.00R12 4PR,FRONTIER (Ref # 41009)	41009-0567	2
TIRE,RR,26X11.00R12 4PR,FRONTIER (Ref # 41009A)	41009-0568	2
WHEEL,FR,12X7.0AT,AL,BLACK (Ref # 49058)	49058-0625-31D	2
WHEEL,RR,12X8.0AT,AL,BLACK (Ref # 49058A)	49058-0626-31D	2
WASHER,12.1X25X1.6 (Ref # 92200)	92200-0455	16
NUT,12MM (Ref # 92210)	92210-0603	16