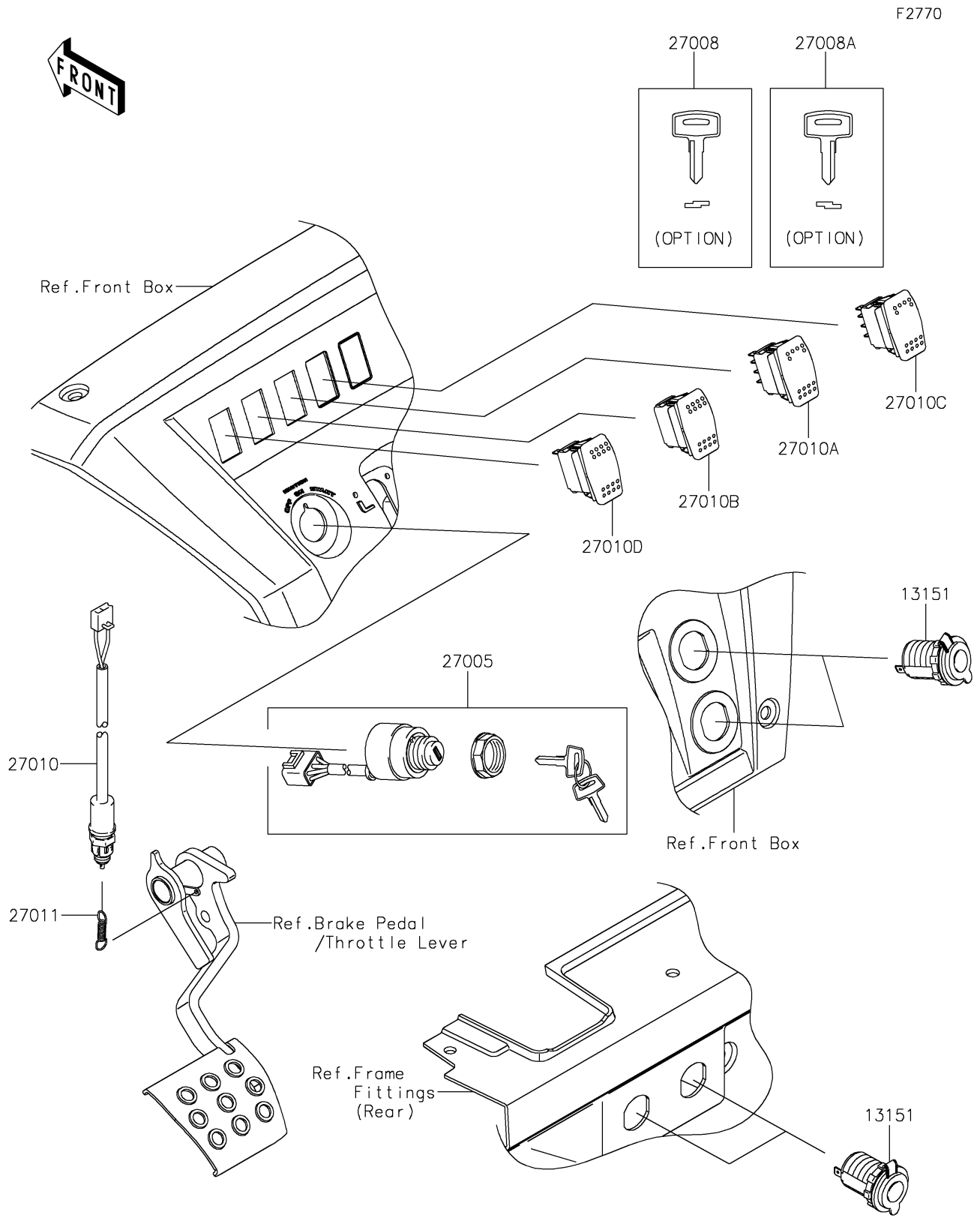


2021 MULE PRO-FXT™ EPS LE PARTS DIAGRAM

Ignition Switch



2021 MULE PRO-FXT™ EPS LE PARTS LIST

Ignition Switch

| ITEM NAME | PART NUMBER | QUANTITY |
|--|-------------|----------|
| SWITCH-COMP,OUTLET,12V (Ref # 13151) | 13151-0556 | 4 |
| SWITCH-ASSY-IGNITION (Ref # 27005) | 27005-0643 | 1 |
| KEY-LOCK,BLANK (Ref # 27008) | 27008-1153 | 1 |
| KEY-LOCK,BLANK (Ref # 27008A) | 27008-1157 | 1 |
| SWITCH,BRAKE (Ref # 27010) | 27010-0724 | 1 |
| SWITCH,HEAD LAMP (Ref # 27010A) | 27010-0750 | 1 |
| SWITCH,2WD/4WD (Ref # 27010B) | 27010-0751 | 1 |
| SWITCH,LED (Ref # 27010C) | 27010-0763 | 1 |
| SWITCH,DIFF LOCK (Ref # 27010D) | 27010-0810 | 1 |
| SPRING,BRAKE LAMP SWITCH (Ref # 27011) | 27011-006 | 1 |