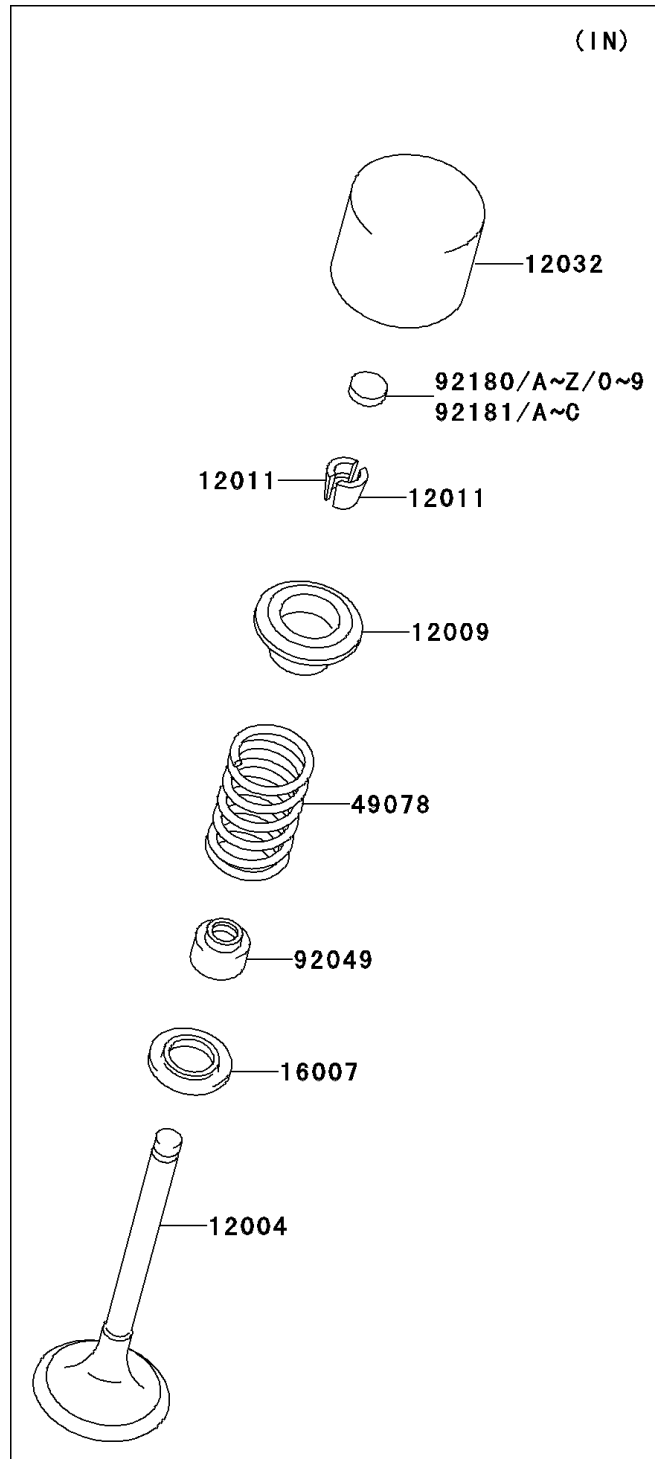
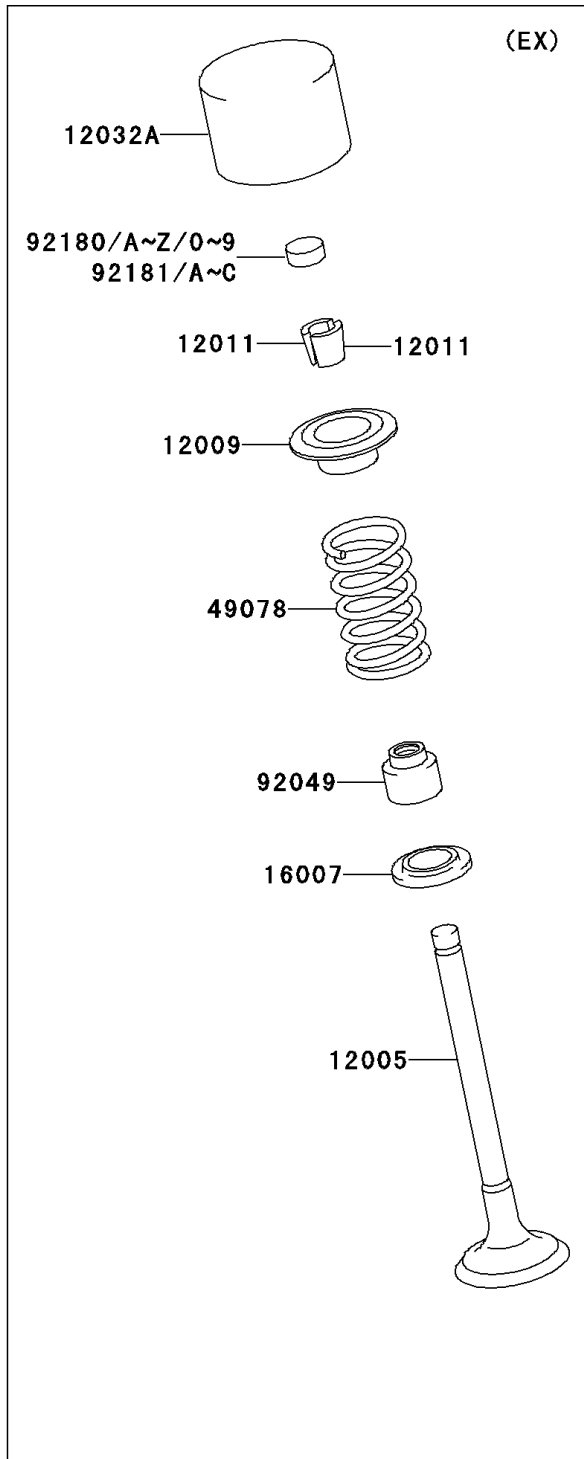


# 2005 KX250F PARTS DIAGRAM

Valve(s)

E1210



## 2005 KX250F PARTS LIST

Valve(s)

ITEM NAME	PART NUMBER	QUANTITY
VALVE-INTAKE (Ref # 12004)	12004-0002	2
VALVE-EXHAUST (Ref # 12005)	12005-0002	2
RETAINER-VALVE SPRING (Ref # 12009)	12009-1073	4
COLLET (Ref # 12011)	12011-1053	8
TAPPET (Ref # 12032)	12032-0002	2
TAPPET,EXHAUST (Ref # 12032A)	12032-0003	2
SEAT-SPRING (Ref # 16007)	16007-0002	4
SPRING-ENGINE VALVE (Ref # 49078)	49078-0003	4
SEAL-OIL,VSB 4.3 7.5 5.3 8.3 (Ref # 92049)	92049-1349	4
SHIM,T=2.500 (Ref # 92180)	92180-0023	4
SHIM,T=3.175 (Ref # 921800)	92180-0050	AR
SHIM,T=3.200 (Ref # 921801)	92180-0051	AR
SHIM,T=3.225 (Ref # 921802)	92180-0052	AR
SHIM,T=3.250 (Ref # 921803)	92180-0053	AR
SHIM,T=2.525 (Ref # 92180A)	92180-0024	AR
SHIM,T=2.550 (Ref # 92180B)	92180-0025	AR
SHIM,T=2.575 (Ref # 92180C)	92180-0026	AR
SHIM,T=2.600 (Ref # 92180D)	92180-0027	AR
SHIM,T=2.625 (Ref # 92180E)	92180-0028	AR
SHIM,T=2.650 (Ref # 92180F)	92180-0029	AR
SHIM,T=2.675 (Ref # 92180G)	92180-0030	AR
SHIM,T=2.700 (Ref # 92180H)	92180-0031	AR
SHIM,T=2.725 (Ref # 92180I)	92180-0032	AR
SHIM,T=2.750 (Ref # 92180J)	92180-0033	AR
SHIM,T=2.775 (Ref # 92180K)	92180-0034	AR
SHIM,T=2.800 (Ref # 92180L)	92180-0035	AR
SHIM,T=2.825 (Ref # 92180M)	92180-0036	AR
SHIM,T=2.850 (Ref # 92180N)	92180-0037	AR
SHIM,T=2.875 (Ref # 92180O)	92180-0038	AR

## 2005 KX250F PARTS LIST

Valve(s)

ITEM NAME	PART NUMBER	QUANTITY
SHIM,T=2.900 (Ref # 92180P)	92180-0039	AR
SHIM,T=2.925 (Ref # 92180Q)	92180-0040	AR
SHIM,T=2.950 (Ref # 92180R)	92180-0041	AR
SHIM,T=2.975 (Ref # 92180S)	92180-0042	AR
SHIM,T=3.000 (Ref # 92180T)	92180-0043	AR
SHIM,T=3.025 (Ref # 92180U)	92180-0044	AR
SHIM,T=3.050 (Ref # 92180V)	92180-0045	AR
SHIM,T=3.075 (Ref # 92180W)	92180-0046	AR
SHIM,T=3.100 (Ref # 92180X)	92180-0047	AR
SHIM,T=3.125 (Ref # 92180Y)	92180-0048	AR
SHIM,T=3.150 (Ref # 92180Z)	92180-0049	AR
SHIM,T=3.275 (Ref # 921804)	92180-0054	AR
SHIM,T=3.300 (Ref # 921805)	92180-0055	AR
SHIM,T=3.325 (Ref # 921806)	92180-0056	AR
SHIM,T=3.350 (Ref # 921807)	92180-0057	AR
SHIM,T=3.375 (Ref # 921808)	92180-0058	AR
SHIM,T=3.400 (Ref # 921809)	92180-0059	AR
SHIM,T=3.425 (Ref # 92181)	92180-0060	AR
SHIM,T=3.450 (Ref # 92181A)	92180-0061	AR
SHIM,T=3.475 (Ref # 92181B)	92180-0062	AR
SHIM,T=3.500 (Ref # 92181C)	92180-0063	AR