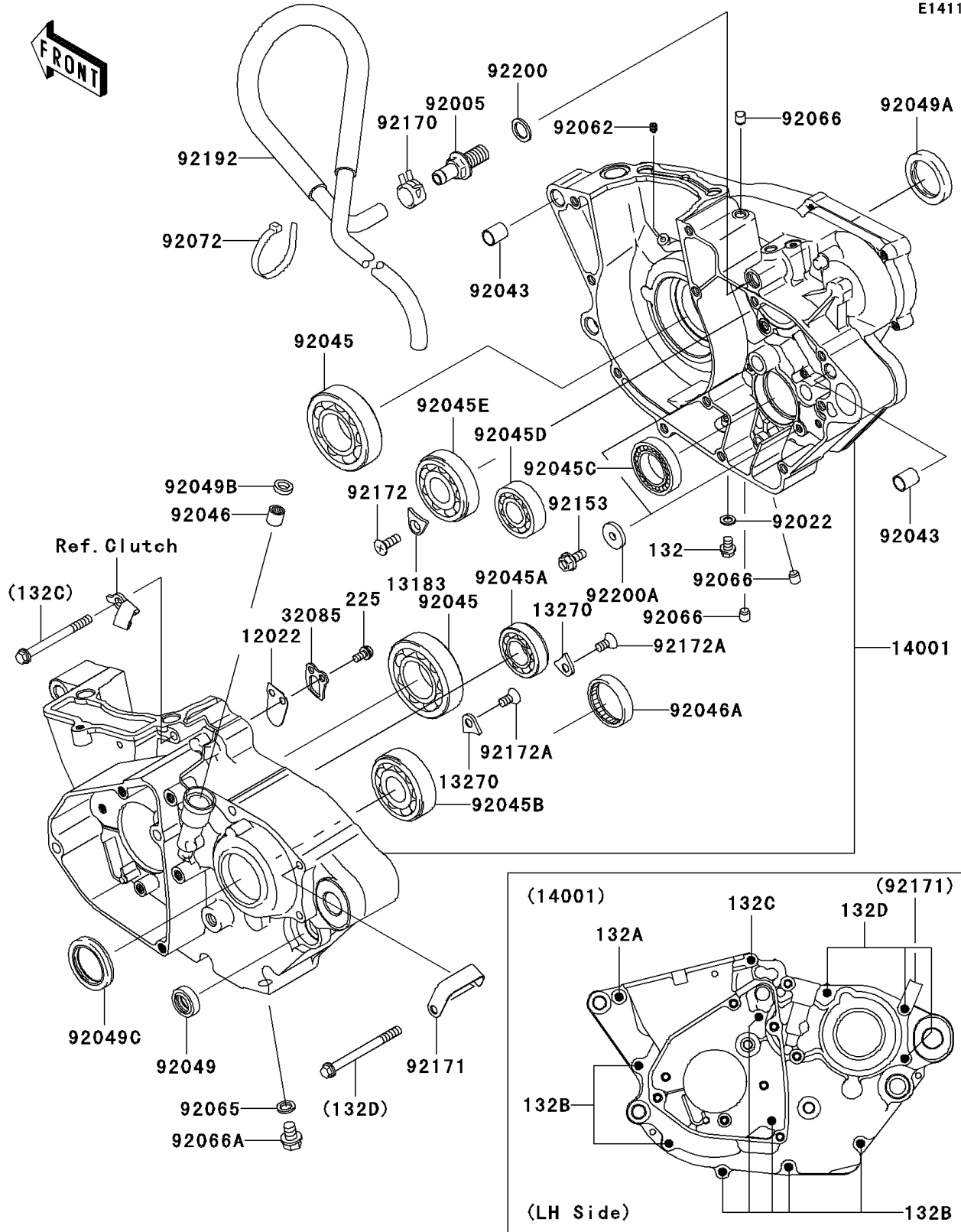


2005 KX250F PARTS DIAGRAM

Crankcase

E1411



2005 KX250F PARTS LIST

Crankcase

ITEM NAME	PART NUMBER	QUANTITY
BOLT-FLANGED-SMALL (Ref # 132)	132G0608	1
BOLT-FLANGED-SMALL (Ref # 132A)	132G0640	1
BOLT-FLANGED-SMALL (Ref # 132B)	132G0660	7
BOLT-FLANGED-SMALL (Ref # 132C)	132G0665	1
BOLT-FLANGED-SMALL (Ref # 132D)	132G0670	3
SCREW-PAN-WSP-CROS (Ref # 225)	225D0510	2
VALVE-REED (Ref # 12022)	12022-0001	1
PLATE (Ref # 13183)	13183-1182	1
PLATE (Ref # 13270)	13270-1638	2
SET-CRANKCASE (Ref # 14001)	14001-0048	1
STOPPER,VALVE-REED (Ref # 32085)	32085-0011	1
FITTING,BREATHER (Ref # 92005)	92005-0014	1
WASHER,6.2X11X1 (Ref # 92022)	92022-304	1
PIN,10.1X12X14 (Ref # 92043)	92043-4009	2
BEARING-BALL,CRANKSHAFT MAIN (Ref # 92045)	92045-0006	2
BEARING-BALL,3TM-SX0391ZC3 (Ref # 92045A)	92045-0013	1
BEARING-BALL,TM-SX04B13CM (Ref # 92045B)	92045-0020	1
BEARING-BALL,6905Z (Ref # 92045C)	92045-1058	1
BEARING-BALL,TMB203 (Ref # 92045D)	92045-1291	1
BEARING-BALL,SX04A74 (Ref # 92045E)	92045-1297	1
BEARING-NEEDLE,HK1210 (Ref # 92046)	92046-1010	1
BEARING-NEEDLE,7E-HKS33X38X8 (Ref # 92046A)	92046-1221	1
SEAL-OIL,SD2 14 22 6-1 NS (Ref # 92049)	92049-0015	1
SEAL-OIL,TC 30 40 7 (Ref # 92049A)	92049-0030	1
SEAL-OIL,AG0353-F0 (Ref # 92049B)	92049-1262	1
SEAL-OIL (Ref # 92049C)	92049-1478	1
NOZZLE,5X6,SILVER (Ref # 92062)	92062-1086	1
GASKET,10.5X16X1 (Ref # 92065)	92065-058	1
PLUG,OIL LINE,7.2X8 (Ref # 92066)	92066-1012	3

2005 KX250F PARTS LIST

Crankcase

ITEM NAME	PART NUMBER	QUANTITY
PLUG,DRAIN (Ref # 92066A)	92066-1437	1
BAND (Ref # 92072)	92072-3874	1
BOLT,6X14 (Ref # 92153)	92153-0878	2
CLAMP (Ref # 92170)	92170-1938	1
CLAMP (Ref # 92171)	92171-0222	1
SCREW,6X14 (Ref # 92172)	92172-0087	1
SCREW,6X8 (Ref # 92172A)	92172-0109	2
TUBE,BREATHER (Ref # 92192)	92192-0102	1
WASHER,12.5X18X1.6 (Ref # 92200)	92200-0087	1
WASHER,6X20X3.2 (Ref # 92200A)	92200-0120	2