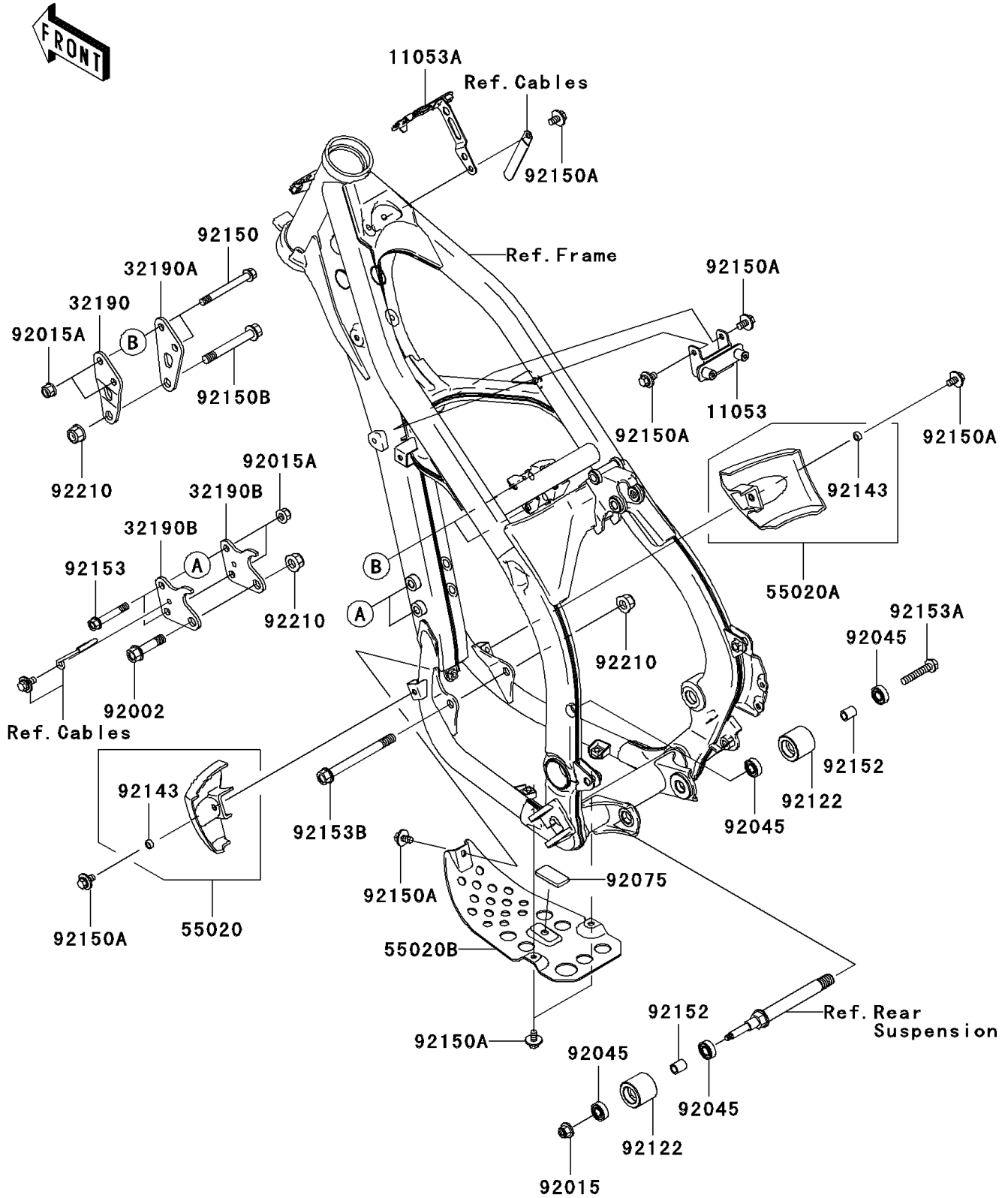


2005 KX250F PARTS DIAGRAM

Frame Fittings

F2131



2005 KX250F PARTS LIST

Frame Fittings

ITEM NAME	PART NUMBER	QUANTITY
BRACKET,IGNITION COIL (Ref # 11053)	11053-1300	1
BRACKET,IGNITER (Ref # 11053A)	11053-1637	1
BRACKET-ENGINE,UPP,LH (Ref # 32190)	32190-0014	1
BRACKET-ENGINE,UPP,RH (Ref # 32190A)	32190-0015	1
BRACKET-ENGINE,FR (Ref # 32190B)	32190-0070	2
GUARD,ENGINE,FR,LH (Ref # 55020)	55020-0023	1
GUARD,ENGINE,FR,RH (Ref # 55020A)	55020-0024	1
GUARD,ENGINE (Ref # 55020B)	55020-0055	1
BOLT,ARM,10MM (Ref # 92002)	92002-1576	1
NUT,LOCK,FLANGED,6MM (Ref # 92015)	92015-1339	1
NUT,8MM (Ref # 92015A)	92015-1432	4
BEARING-BALL,608LLU/2A (Ref # 92045)	92045-1009	4
DAMPER (Ref # 92075)	92075-1054	1
ROLLER,CHAIN GUIDE (Ref # 92122)	92122-0007	2
COLLAR (Ref # 92143)	92143-1307	2
BOLT,FLANGED,8X50 (Ref # 92150)	92150-1214	2
BOLT,6X12 (Ref # 92150A)	92150-1435	8
BOLT,FLANGED,10X42 (Ref # 92150B)	92150-1571	1
COLLAR,8.5X12.5X15.5 (Ref # 92152)	92152-0211	2
BOLT,FLANGED,8X78 (Ref # 92153)	92153-0364	2
BOLT,FLANGED,8X45 (Ref # 92153A)	92153-0585	1
BOLT,FLANGED,10X110 (Ref # 92153B)	92153-0615	1
NUT,LOCK,FLANGED,10MM (Ref # 92210)	92210-1080	3