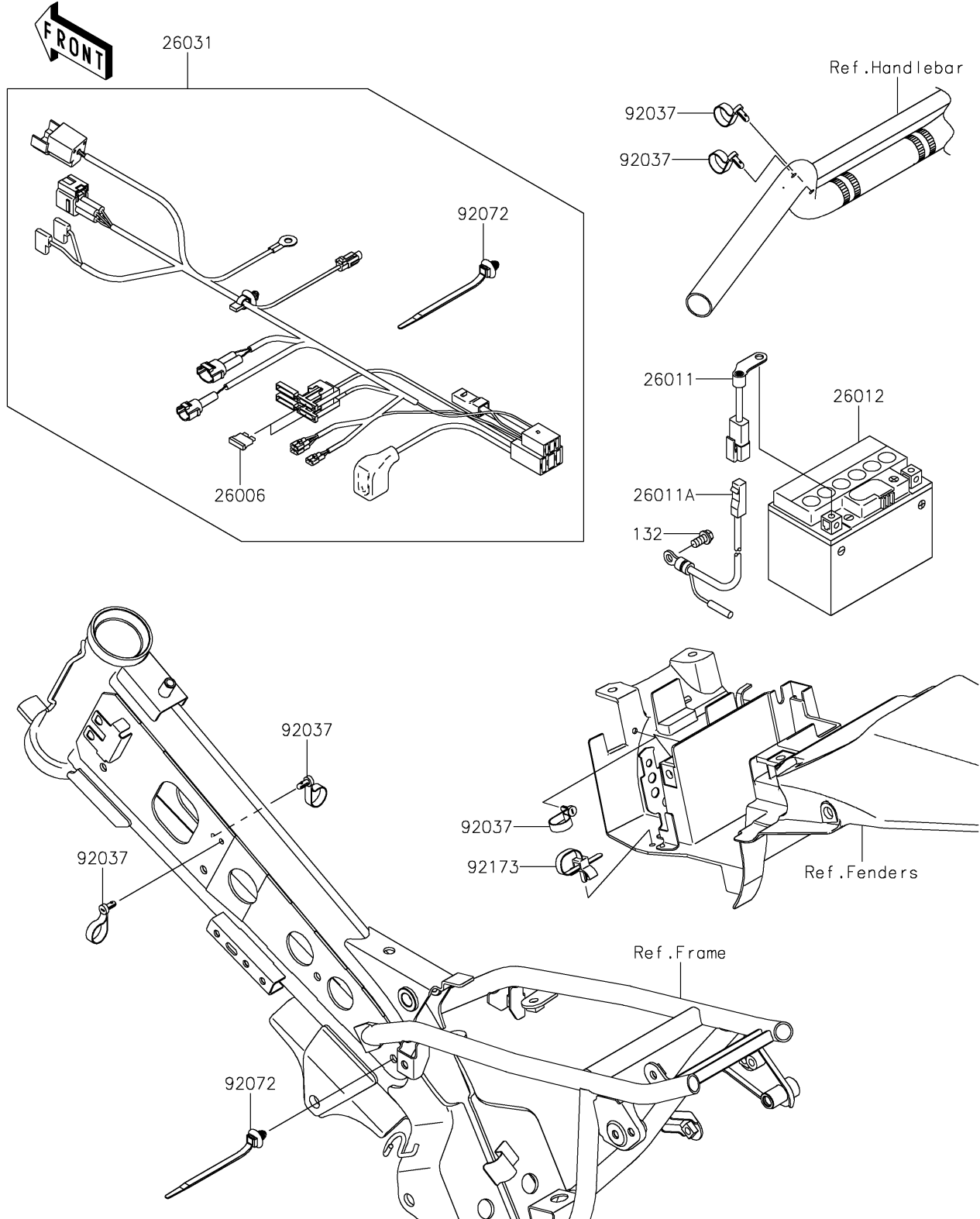


# 2021 KLX®110R PARTS DIAGRAM

## Chassis Electrical Equipment

F2760



# 2021 KLX®110R PARTS LIST

Chassis Electrical Equipment

ITEM NAME	PART NUMBER	QUANTITY
-----------	-------------	----------