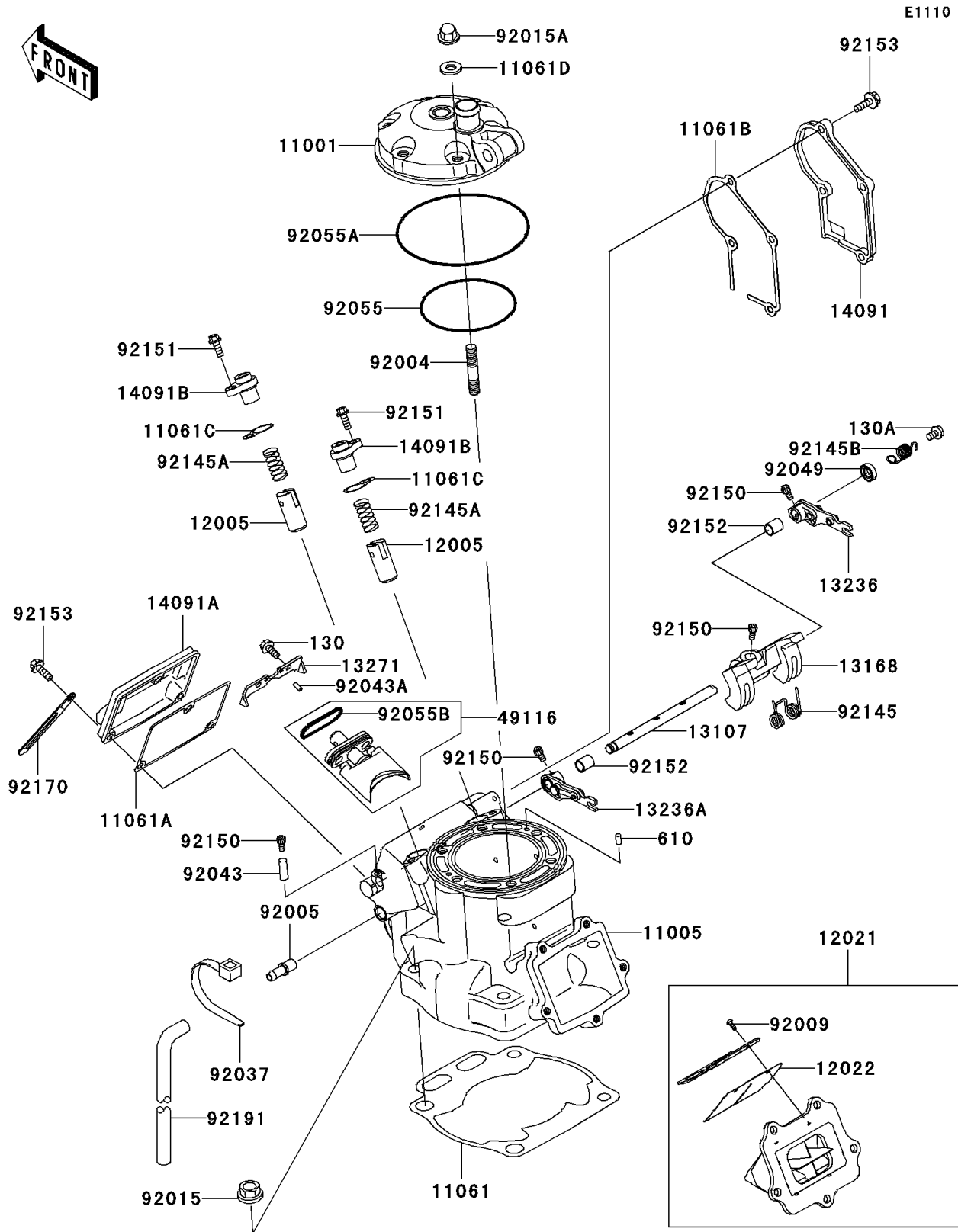


2005 KX250 PARTS DIAGRAM

Cylinder Head/Cylinder



2005 KX250 PARTS LIST

Cylinder Head/Cylinder

ITEM NAME	PART NUMBER	QUANTITY
BOLT-FLANGED (Ref # 130)	130G0512	2
HEAD-CYLINDER (Ref # 11001)	11001-0034	1
CYLINDER-ENGINE (Ref # 11005)	11005-0027	1
GASKET,CYLINDER BASE (Ref # 11061)	11061-0091	1
GASKET,CNT (Ref # 11061A)	11061-0092	1
GASKET,GOVERNOR COVER (Ref # 11061B)	11061-0093	1
GASKET,EXHAUST COVER (Ref # 11061C)	11061-0138	2
GASKET,HEAD (Ref # 11061D)	11061-1133	6
VALVE-EXHAUST (Ref # 12005)	12005-0019	2
VALVE-ASSY-REED (Ref # 12021)	12021-0009	1
VALVE-REED (Ref # 12022)	12022-0004	2
SHAFT (Ref # 13107)	13107-0062	1
LEVER,VALVE-ASSY,MAIN (Ref # 13168)	13168-0058	1
LEVER-COMP,RH (Ref # 13236)	13236-0054	1
LEVER-COMP,LH (Ref # 13236A)	13236-0081	1
PLATE (Ref # 13271)	13271-0518	1
COVER,RH (Ref # 14091)	14091-0215	1
COVER,CNT (Ref # 14091A)	14091-0217	1
COVER,EXHAUST (Ref # 14091B)	14091-0249	2
VALVE-ASSY,MAIN (Ref # 49116)	49116-0007	1
STUD,8X28 (Ref # 92004)	92004-1110	6
FITTING,BREATHER (Ref # 92005)	92005-1127	1
SCREW,REED VALVE (Ref # 92009)	92009-1014	4
NUT,FLANGED,10MM (Ref # 92015)	92015-077	4
NUT,CAP,8MM (Ref # 92015A)	92015-1151	6
CLAMP (Ref # 92037)	92037-1173	1
PIN,3X8.5 (Ref # 92043)	92043-0033	1
PIN,3X6.8 (Ref # 92043A)	92043-0068	2
SEAL-OIL,SD088144 (Ref # 92049)	92049-1238	1

2005 KX250 PARTS LIST

Cylinder Head/Cylinder

ITEM NAME	PART NUMBER	QUANTITY
RING-O,73.9X1.9 (Ref # 92055)	92055-0049	1
RING-O,102X1.9 (Ref # 92055A)	92055-0050	1
RING-O (Ref # 92055B)	92055-0051	1
SPRING (Ref # 92145)	92145-0180	1
SPRING (Ref # 92145A)	92145-0260	2
SPRING,MAIN,VALVE (Ref # 92145B)	92145-0284	1
BOLT,SOCKET,4X8 (Ref # 92150)	92150-1888	4
BOLT,6X14 (Ref # 92151)	92151-1423	2
COLLAR,8.1X10.0X11.2 (Ref # 92152)	92152-0264	2
BOLT,5X16 (Ref # 92153)	92153-0859	7
CLAMP (Ref # 92170)	92170-1514	1
TUBE,5.8X10.8X225 (Ref # 92191)	92191-1692	1
BOLT-FLANGED (Ref # 130A)	130L0508	1
ROLLER,4X8 (Ref # 610)	610A0408	2