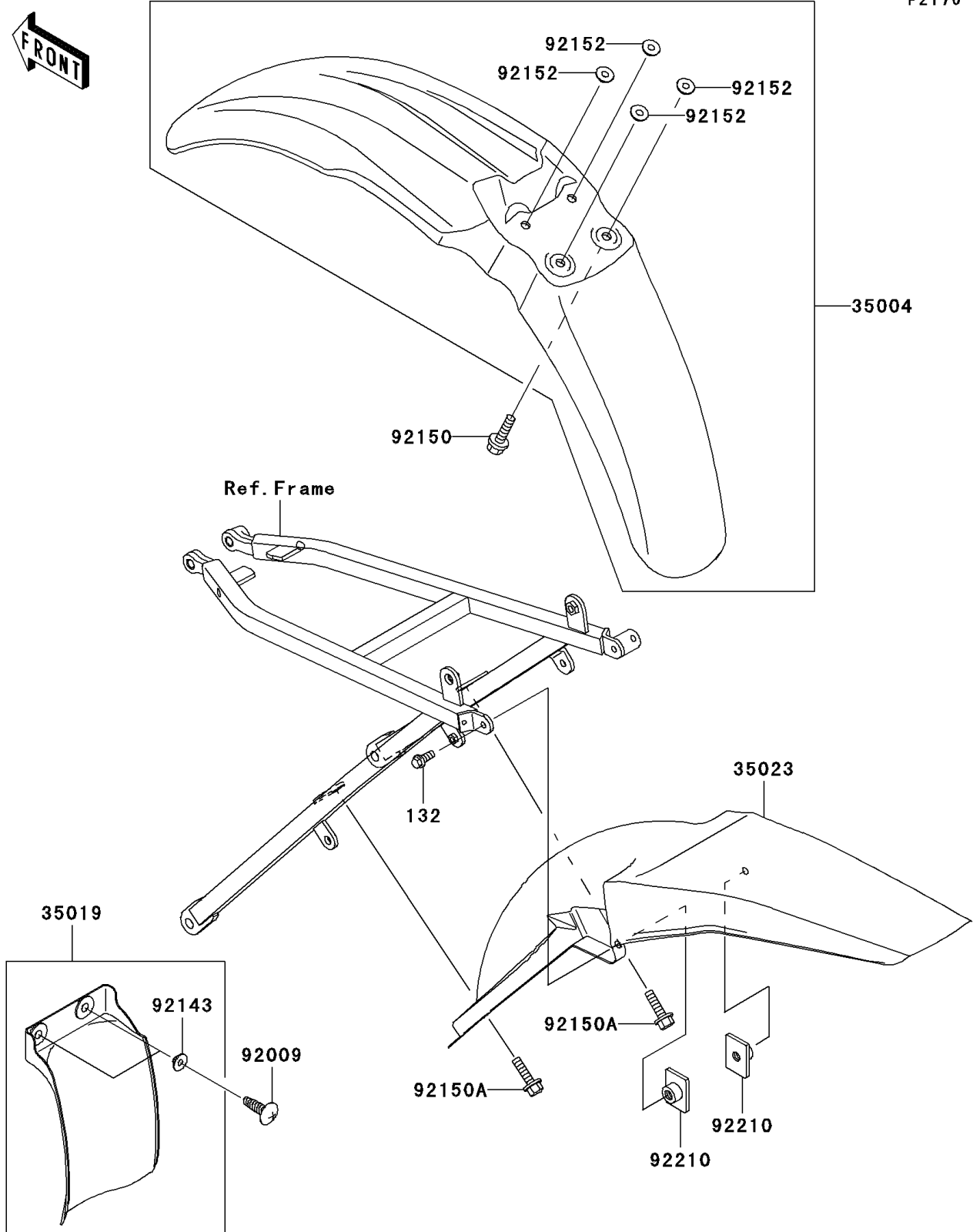


# 2005 KX250 PARTS DIAGRAM

Fenders

F2170



## 2005 KX250 PARTS LIST

### Fenders

ITEM NAME	PART NUMBER	QUANTITY
BOLT-FLANGED-SMALL (Ref # 132)	132G0614	1
FENDER-FRONT,L.GREEN (Ref # 35004)	35004-1460-290	1
FLAP,AIR FILTER,F.BLACK (Ref # 35019)	35019-1402-6Z	1
FENDER-REAR,L.GREEN (Ref # 35023)	35023-1587-290	1
SCREW,TAPPING,5X20 (Ref # 92009)	92009-1993	2
COLLAR (Ref # 92143)	92143-1087	2
BOLT,FLANGED,M6X20 (Ref # 92150)	92150-1339	4
BOLT,FLANGED,6X22 (Ref # 92150A)	92150-1481	2
COLLAR (Ref # 92152)	92152-1422	4
NUT,PLATE,6MM (Ref # 92210)	92210-1352	2