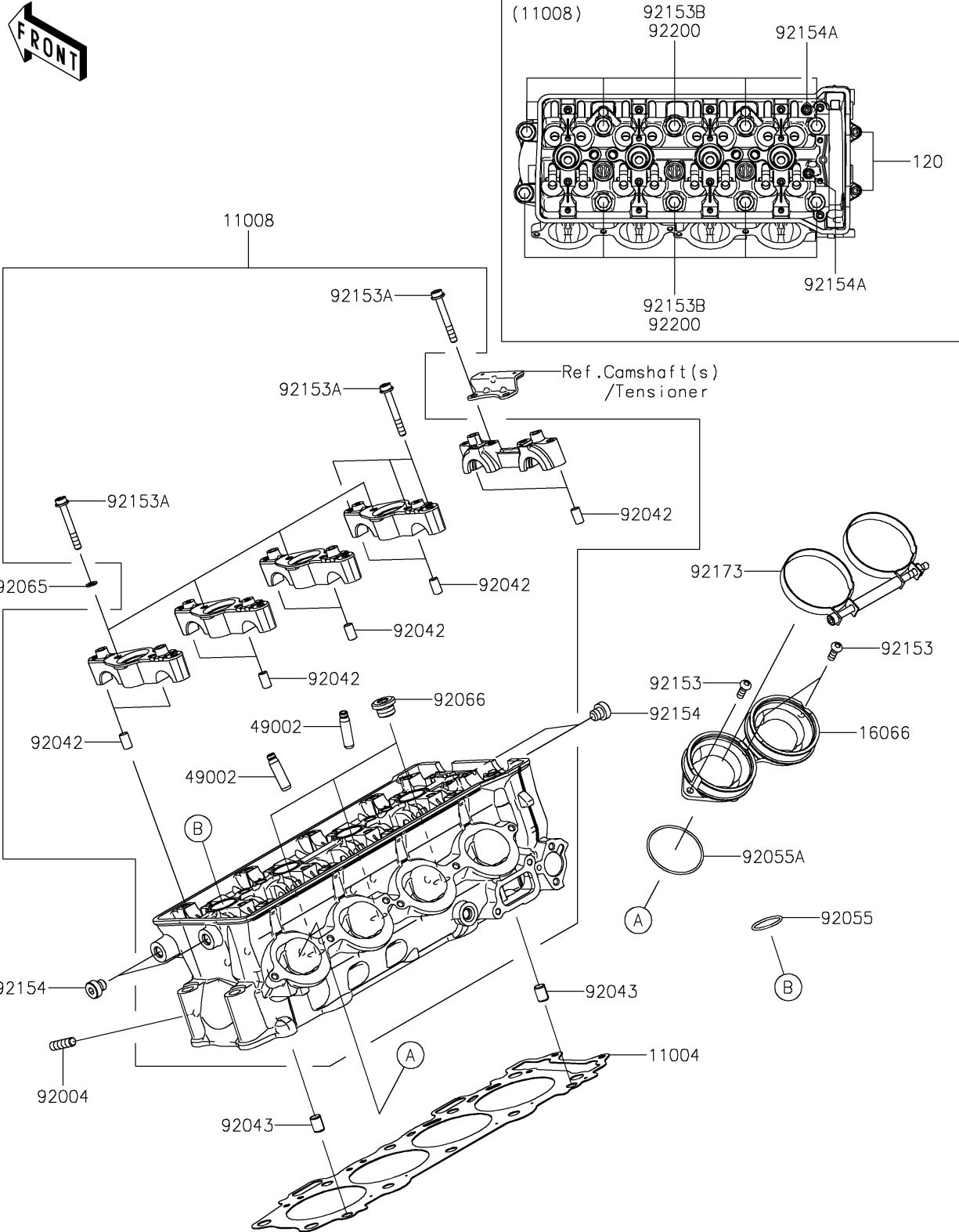


2021 Ninja® ZX™ -10R PARTS DIAGRAM

Cylinder Head

E1111



2021 Ninja® ZX™ -10R PARTS LIST

Cylinder Head

ITEM NAME	PART NUMBER	QUANTITY
GASKET-HEAD (Ref # 11004)	11004-0779	1
HEAD-COMP-CYLINDER (Ref # 11008)	11008-1443	1
HOLDER-THROTTLE BODY (Ref # 16066)	16066-0013	2
GUIDE-VALVE (Ref # 49002)	49002-0009	16
STUD,8X18 (Ref # 92004)	92004-0049	8
PIN,DOWEL,6.3X8X14 (Ref # 92042)	92042-007	10
PIN,8.2X10X14 (Ref # 92043)	92043-1264	2
RING-O,25.5X2 (Ref # 92055)	92055-0074	4
RING-O,50X1.9 (Ref # 92055A)	92055-0914	4
GASKET (Ref # 92065)	92065-096	4
PLUG,16X10 (Ref # 92066)	92066-0129	3
BOLT,TORX,6X18 (Ref # 92153)	92153-0454	6
BOLT,SOCKET,6X45 (Ref # 92153A)	92153-0656	20
BOLT,FLANGED,10X90 (Ref # 92153B)	92153-1044	10
BOLT,SOCKET,10X10 (Ref # 92154)	92154-3844	4
BOLT,SOCKET,5X14 (Ref # 92154A)	92154-3846	2
CLAMP (Ref # 92173)	92173-0222	2
WASHER,10.5X19X2.3 (Ref # 92200)	92200-0114	10
BOLT-SOCKET,6X30 (Ref # 120)	120CD0630	2