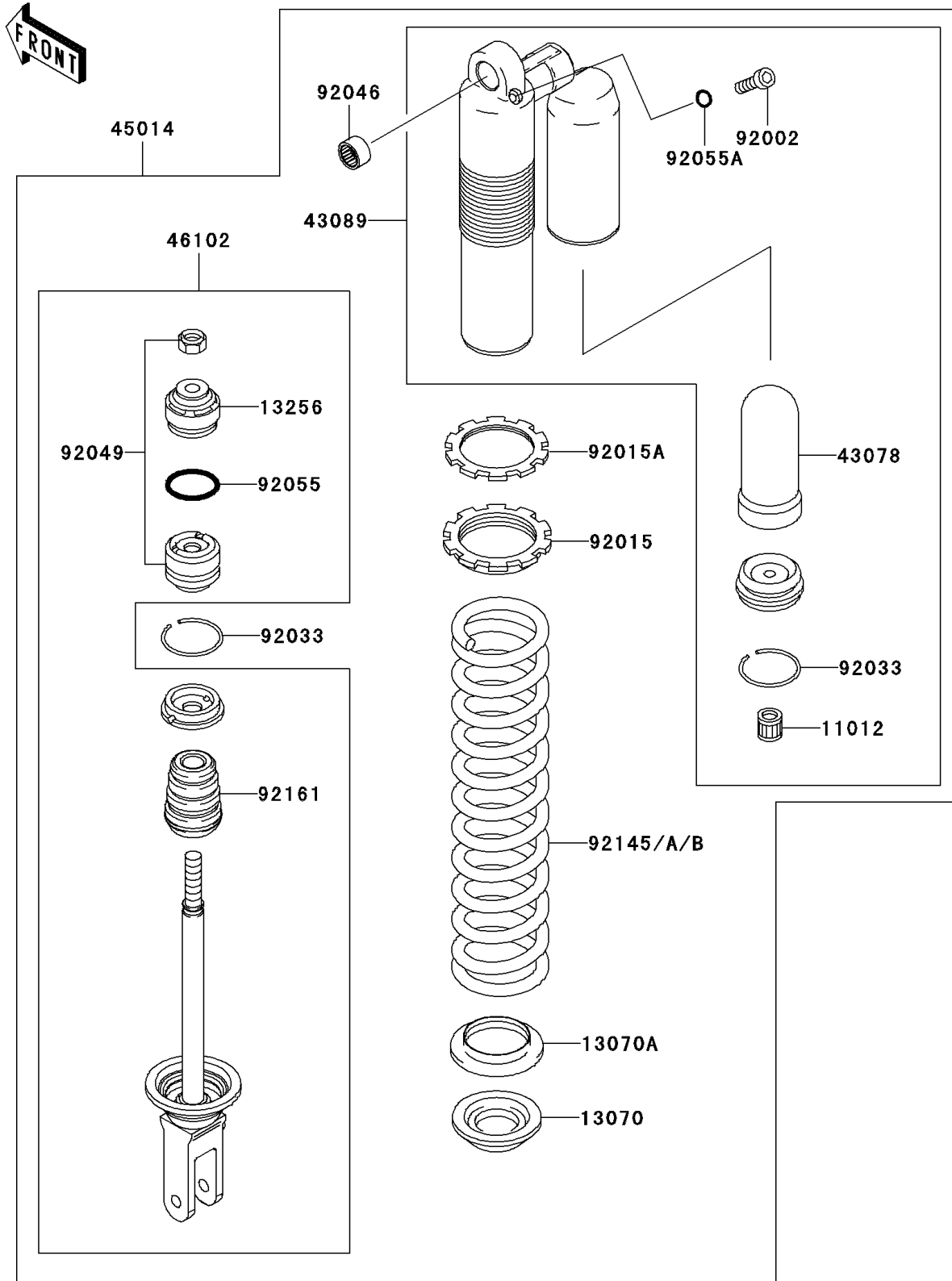


2005 KX250 PARTS DIAGRAM

Shock Absorber(s)

F2280



2005 KX250 PARTS LIST

Shock Absorber(s)

ITEM NAME	PART NUMBER	QUANTITY
CAP,AIR VALVE (Ref # 11012)	11012-1552	1
GUIDE,SPRING (Ref # 13070)	13070-0029	1
GUIDE,SPRING (Ref # 13070A)	13070-1362	1
PISTON,SHOCKABSORBER (Ref # 13256)	13256-0002	1
RESERVOIR,SHOCKABSORBER (Ref # 43078)	43078-1125	1
CYLINDER-SHOCKABSORBER (Ref # 43089)	43089-0003	1
SHOCKABSORBER,I.SILVER (Ref # 45014)	45014-0094-8V	1
ROD,SHOCKABSORBER (Ref # 46102)	46102-0069	1
BOLT,DRAIN (Ref # 92002)	92002-1955	1
NUT,SPRING ADJUST (Ref # 92015)	92015-1703	1
NUT,SPRING ADJUST LOCK (Ref # 92015A)	92015-1704	1
RING-SNAP (Ref # 92033)	92033-1209	2
BEARING-NEEDLE,7E-HVS16X22X12 (Ref # 92046)	92046-1301	1
SEAL-OIL (Ref # 92049)	92049-0057	1
RING-O,ROD (Ref # 92055)	92055-1346	1
RING-O (Ref # 92055A)	92055-1383	1
SPRING,SHOCKABSORBER,K=5.1,SIL (Ref # 92145)	92145-0015-8V	1
SPRING,SHOCKABSORBER,K=5.3,SIL (Ref # 92145A)	92145-0016-8V	1
SPRING,SHOCK,K=54N/MM,I.SILVER (Ref # 92145B)	92145-0244-8V	1
DAMPER,SHOCKABSORBER (Ref # 92161)	92161-1172	1