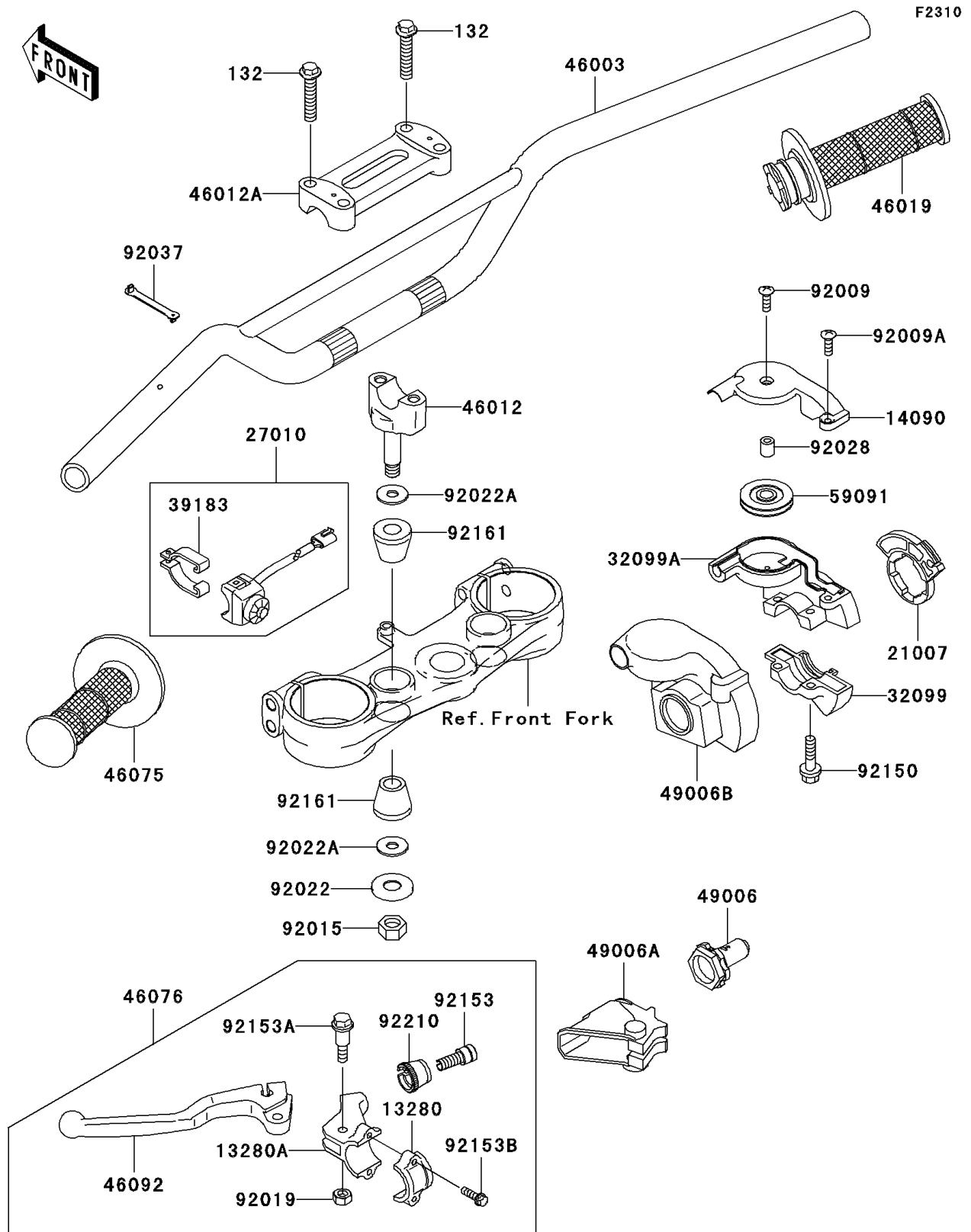


# 2005 KX250 PARTS DIAGRAM

Handlebar



## 2005 KX250 PARTS LIST

### Handlebar

ITEM NAME	PART NUMBER	QUANTITY
BOLT-FLANGED-SMALL (Ref # 132)	132G0830	4
HOLDER (Ref # 13280)	13280-0055	1
HOLDER,CLUTCH LEVER (Ref # 13280A)	13280-0118	1
COVER,THROTTLE CASE,UPP (Ref # 14090)	14090-1161	1
ROTOR,THROTTLE (Ref # 21007)	21007-1242	1
SWITCH,ENGINE STOP (Ref # 27010)	27010-0035	1
CASE,THROTTLE,LWR (Ref # 32099)	32099-1138	1
CASE,THROTTLE,UPP (Ref # 32099A)	32099-1168	1
BAND-ASSY,ENGINE STOP SWITCH (Ref # 39183)	39183-1059	1
HANDLE,P.SILVER (Ref # 46003)	46003-0036-458	1
HOLDER-HANDLE,LWR,P.SILVER (Ref # 46012)	46012-0013-458	2
HOLDER-HANDLE,UPP,P.SILVER (Ref # 46012A)	46012-0017-458	1
GRIP-ASSY,THROTTLE (Ref # 46019)	46019-1125	1
GRIP,LH (Ref # 46075)	46075-1213	1
LEVER-ASSY-GRIP,CLUTCH (Ref # 46076)	46076-0019	1
LEVER-GRIP,CLUTCH (Ref # 46092)	46092-0007	1
BOOT,CLUTCH CABLE (Ref # 49006)	49006-0027	1
BOOT,CLUTCH LEVER (Ref # 49006A)	49006-0030	1
BOOT,THROTTLE (Ref # 49006B)	49006-1301	1
PULLEY,THROTTLE (Ref # 59091)	59091-1102	1
SCREW (Ref # 92009)	92009-1674	1
SCREW (Ref # 92009A)	92009-1675	1
NUT,LOCK,10MM (Ref # 92015)	92015-1962	2
NUT,LOCK,6MM (Ref # 92019)	92019-008	1
WASHER,10.2X28X2 (Ref # 92022)	92022-1088	2
WASHER (Ref # 92022A)	92022-1737	4
BUSHING,THROTTLE CASE (Ref # 92028)	92028-1658	1
CLAMP,SPEED,L=43 (Ref # 92037)	92037-1290	1
BOLT (Ref # 92150)	92150-1559	2

## 2005 KX250 PARTS LIST

### Handlebar

ITEM NAME	PART NUMBER	QUANTITY
BOLT,BOLT ADJUSTING (Ref # 92153)	92153-0773	1
BOLT (Ref # 92153A)	92153-0807	1
BOLT,5X16 (Ref # 92153B)	92153-0808	2
DAMPER,HANDLE HOLDER (Ref # 92161)	92161-0113	4
NUT,BOLT WIRE ADJUSTING (Ref # 92210)	92210-0167	1